

# Service Service Service



# Service Manual

COMPACT  
disc  
DIGITAL AUDIO

## TABLE OF CONTENTS

Specification .....	2 - 3
Measurement setup .....	4
Safety .....	5
Connections & Controls .....	6 - 7
Service hints .....	8
Dismantling Hints .....	9 - 11
Service Testprogram .....	12 - 16
Wiring Diagram of Set .....	17 - 18
Block Diagram of Set .....	19 - 21
<b>Micro Mix Board</b>	
Circuit Diagram .....	22
Component Layout .....	22
<b>Front Board</b>	
Component Layout copperside view .....	23 - 24
Circuit Diagram AF-Part .....	25 - 26
Component Layout componentside view .....	27 - 28
Circuit Diagram Control-Part .....	29 - 30
<b>Recorder Board</b>	
Adjustment Table .....	31
Component Layout .....	32
Circuit Diagram .....	33 - 34
<b>Power Board</b> (all version except /22)	
Component Layout .....	35 - 36
Circuit Diagram .....	37 - 38
<b>Power Board</b> (for /22 only)	
Component Layout .....	39 - 40
Circuit Diagram .....	41 - 42
<b>Trafo Board</b>	
Circuit Diagram .....	43
Component Layout .....	43

## ECO 4 Tuner

Circuit Diagram .....	44 - 46
Component Layout .....	47 - 48
Adjustment Table .....	49

## Tuner 92

Circuit Diagram .....	50 - 52
Component Layout .....	53 - 54
Adjustment Table .....	55

## CD

Dismantling of CD Unit .....	56 - 59
Block Diagram .....	59 - 60
Component Layout .....	61 - 62
Circuit Diagram .....	63 - 65
Faultfinding Tree .....	66 - 67
Abbreviations .....	68
Exploded View CD .....	69 - 70

Exploded Views of Set .....	69 - 72
Partslist .....	73 ff

## Annex

**Service Manual** Tape Transport RDN-11

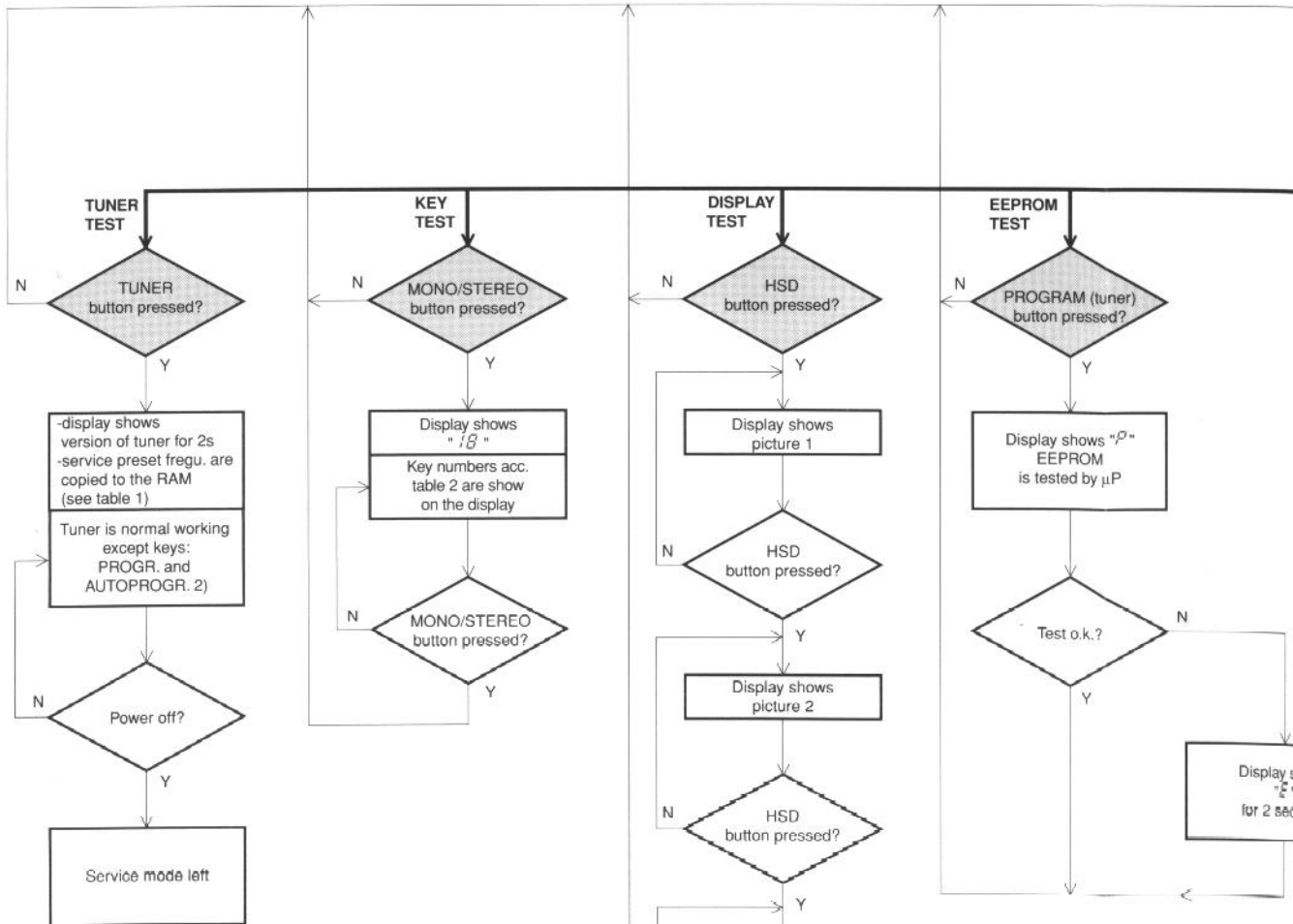
**Service Manual** Record Player DL-40

**CLASS 1  
LASER PRODUCT**

# SERVICE TEST PROGRAM

The service test programm can be left:

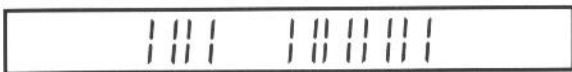
- at each step: by switching power off (disconnect mains)
- from service main menu: by pressing the Standby button twice the set is switched to normal working mode except: \* in TUNER mode still the service preset frequencies are available.  
\* in CD mode the error codes will be displayed.



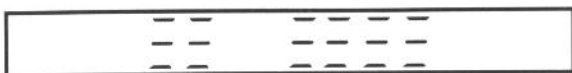
2) Preset frequencies of table 1 can be used as in normal tuner mode. If fieldstrength is high enough "PROGRAM" flag will light. Preset frequencies stored by the customer are still stored in the EEPROM and can be recalled by a reset of the  $\mu$ P (switching power off by disconnecting mains cord)



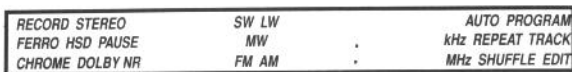
Picture 1



Picture 2

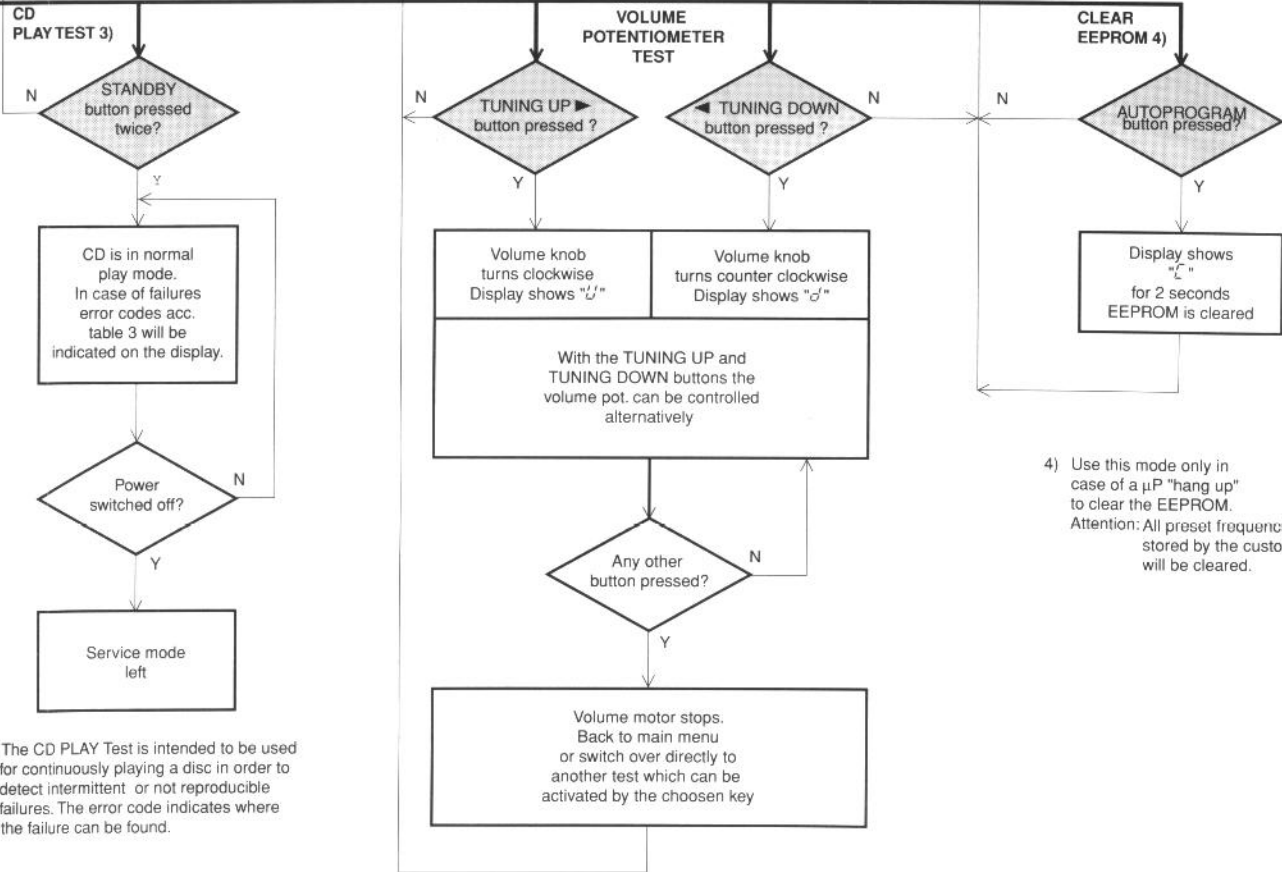


Picture 3



Picture 4

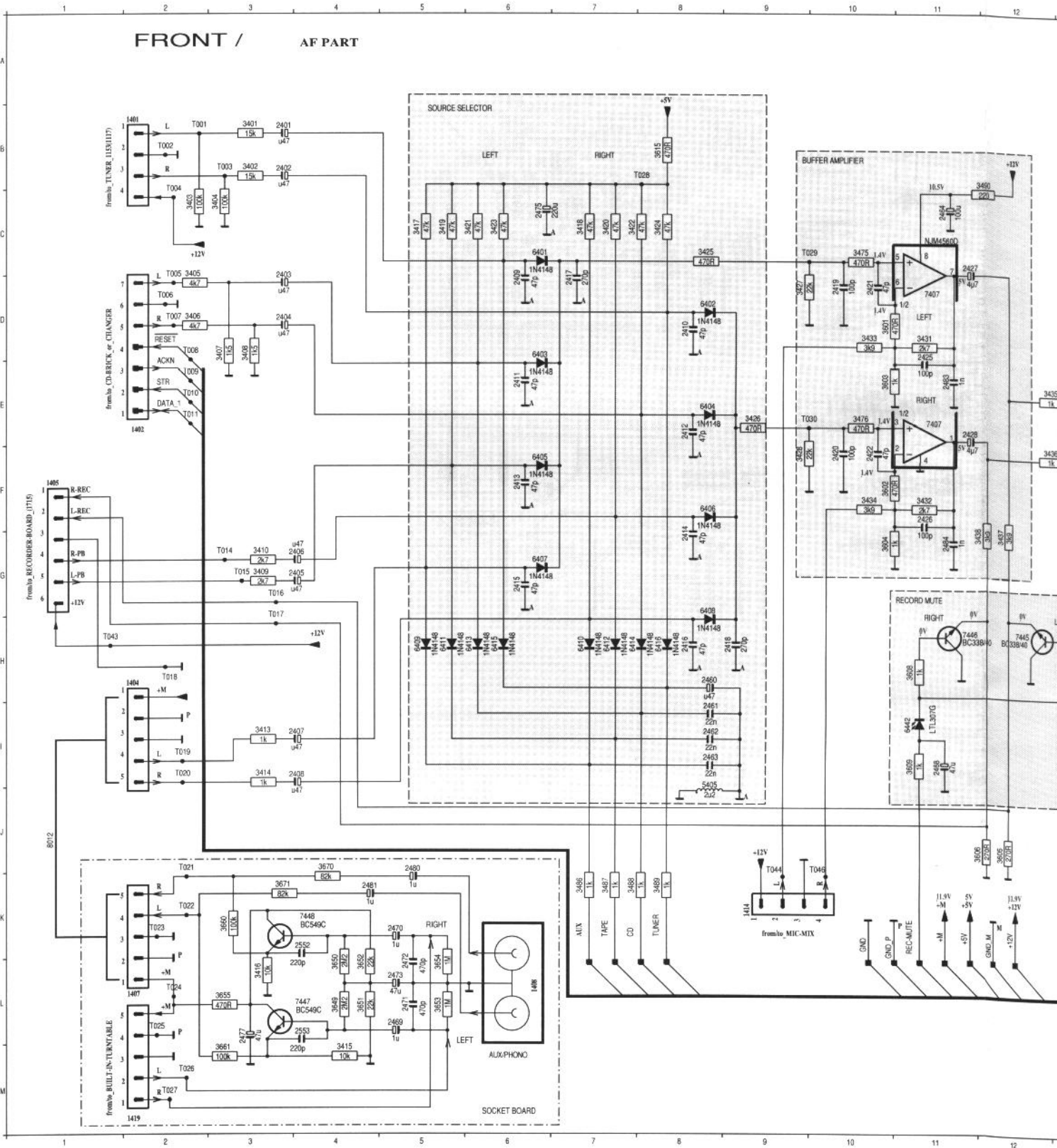




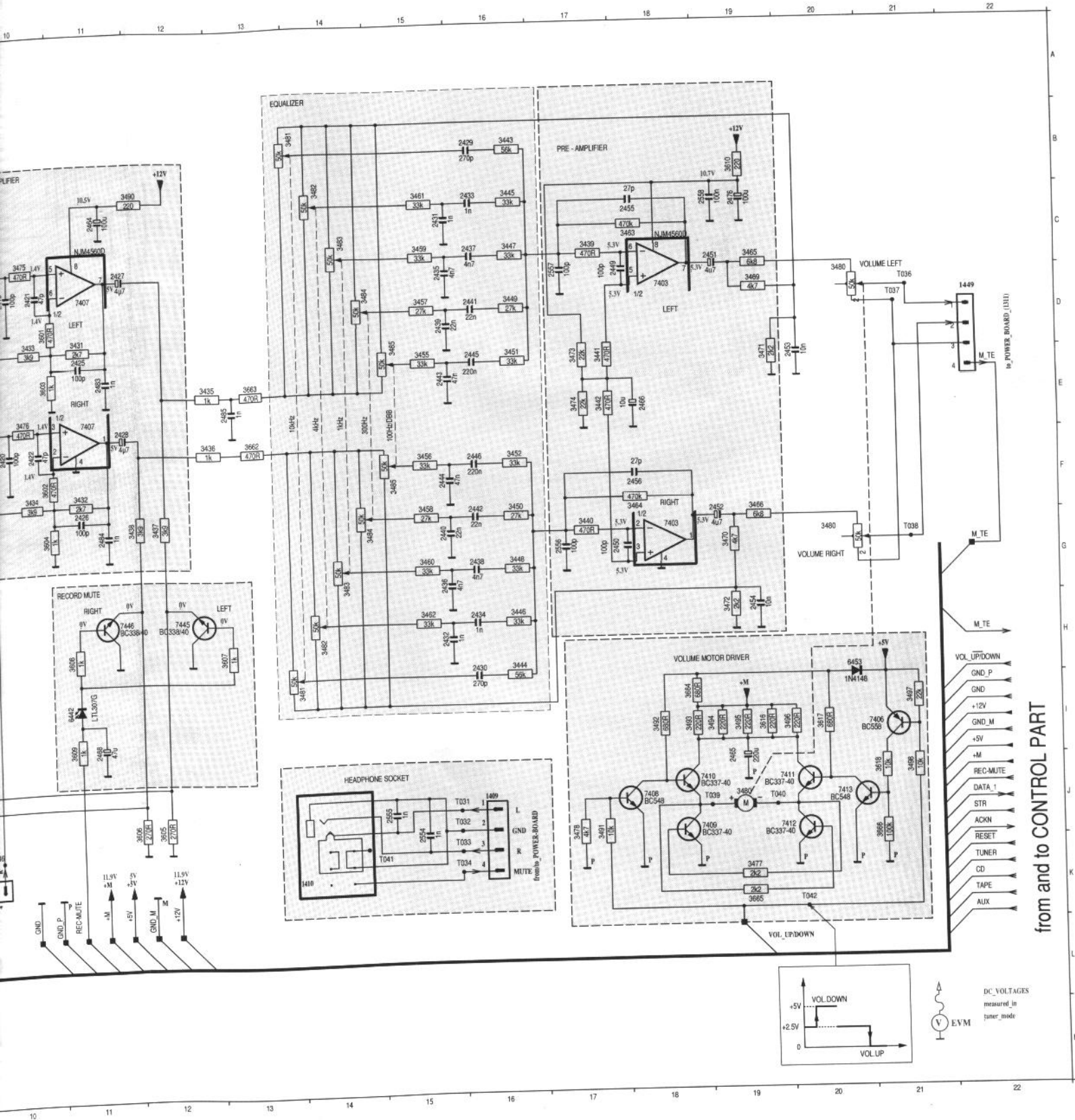
3) The CD PLAY Test is intended to be used for continuously playing a disc in order to detect intermittent or not reproducible failures. The error code indicates where the failure can be found.

4) Use this mode only in case of a  $\mu P$  "hang up" to clear the EEPROM. Attention: All preset frequencies stored by the customer will be cleared.

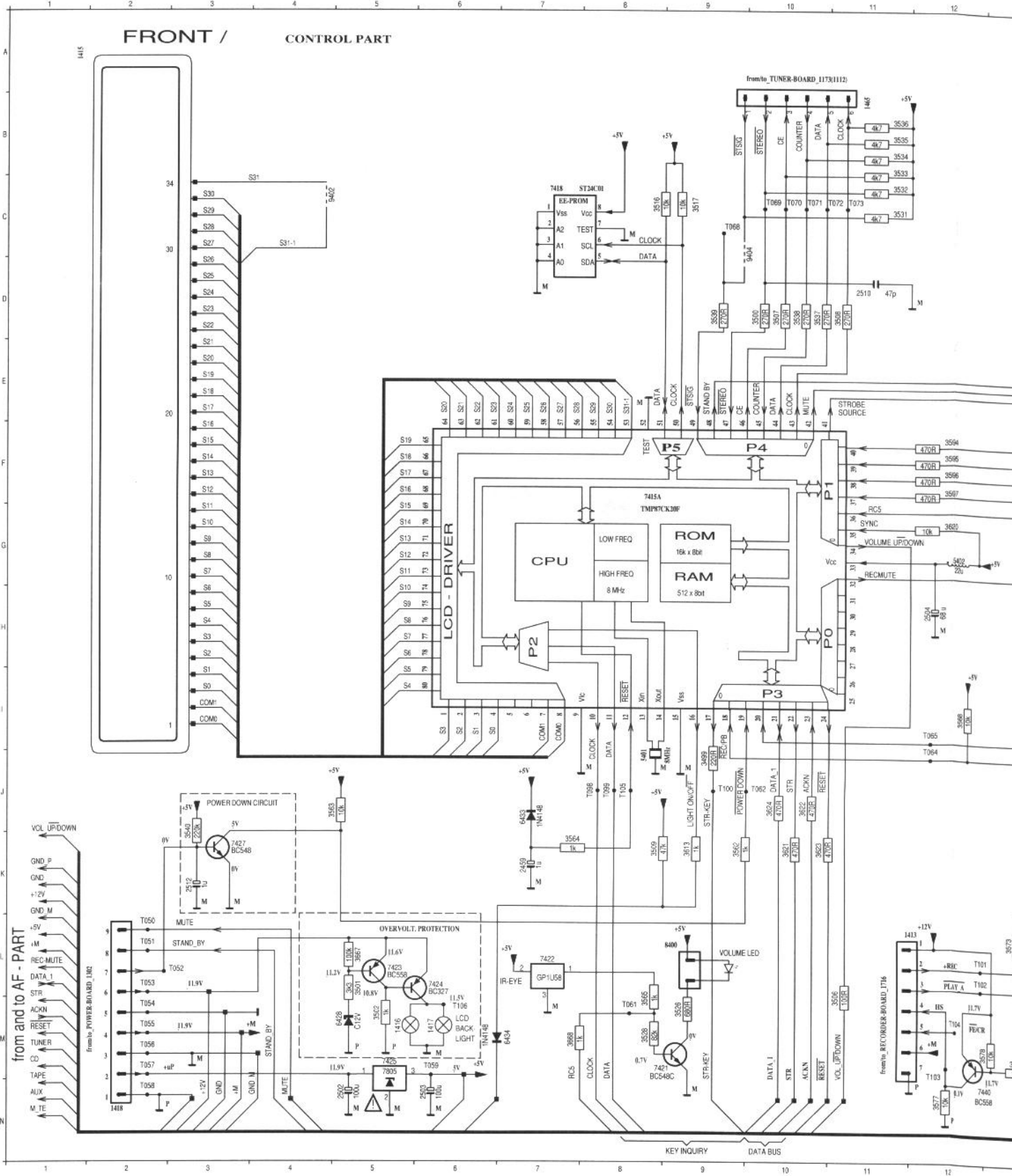
1401	B2	2406	G4	2422	F10	2440	G15	2461	I8	2481	K4	3406	D2	3424	C8	3442	E17	3460	G15	3478
1402	E2	2407	I4	2425	D11	2441	D16	2462	I8	2483	E11	3407	D3	3425	C8	3443	B16	3461	C15	3480
1404	H2	2408	I4	2426	F11	2442	F16	2463	I8	2484	G11	3408	D3	3426	E9	3444	H16	3462	H15	3480
1405	F1	2409	D6	2427	C11	2443	E15	2464	C11	2485	E13	3409	G3	3427	D9	3445	C16	3463	C18	3480
1407	L2	2410	D8	2428	E11	2444	F15	2465	I19	2552	K4	3410	G3	3428	F9	3446	H16	3464	F18	3481
1408	L6	2411	E6	2429	B16	2445	E16	2466	E18	2553	L4	3413	I3	3431	D11	3447	C16	3465	C19	3481
1409	J16	2412	E8	2430	H16	2446	F16	2468	I11	2554	J15	3414	I3	3432	F11	3448	G16	3466	F19	3482
1410	K14	2413	F6	2431	C15	2449	C18	2469	L5	2555	J15	3415	M4	3433	D10	3449	D16	3467	D19	3482
1414	K9	2414	G8	2432	H15	2450	G17	2470	K5	2556	G17	3416	L3	3434	F10	3450	F16	3470	G19	3483
1419	M2	2415	G6	2433	C16	2451	C19	2471	L5	2557	C17	3417	C5	3435	E12	3451	E16	3471	E19	3483
1449	D22	2416	H8	2434	H16	2452	F19	2472	L5	2558	C19	3418	C7	3436	F12	3452	F16	3472	H19	3484
2401	B3	2417	D7	2435	C15	2453	E20	2473	L5	3401	B3	3419	C5	3437	G12	3453	E15	3473	E17	3484
2402	B3	2418	H9	2436	G15	2454	H19	2475	C6	3402	B3	3420	C7	3438	G12	3456	F15	3474	E17	3485
2403	D3	2419	D10	2437	C16	2455	C18	2476	C19	3403	C2	3421	C6	3439	C17	3457	D15	3475	C10	3485
2404	D3	2420	F10	2438	G16	2456	F18	2477	L3	3404	C3	3422	C7	3440	G17	3458	F15	3476	E10	3486
2405	G4	2421	D10	2439	D15	2460	H8	2480	J5	3405	D2	3423	C6	3441	E17	3459	C15	3477	K19	3487



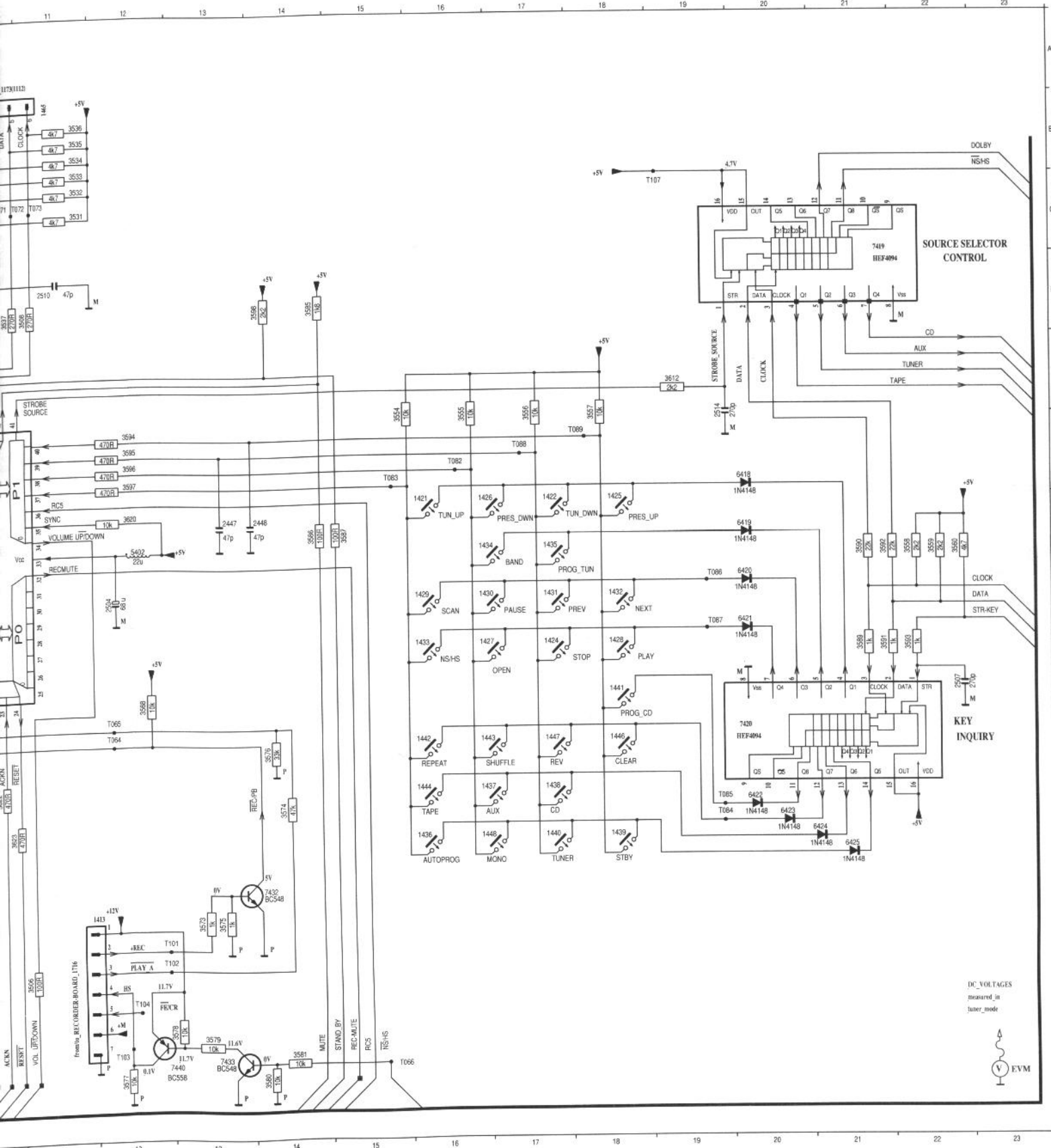
02	E17	3460	G15	3478	J17	3488	K7	3606	J12	3660	K3	6407	G6	7407	E11	T006	D2	T024	L2	T041	K15	
03	B16	3461	C15	3480	C20	3489	K8	3607	H13	3661	M3	6408	G8	7408	J18	T007	D2	T025	L2	T042	K20	
04	H16	3462	H15	3480	J19	3490	B12	3608	H11	3662	F13	6409	H5	7409	J18	T008	D2	T026	M2	T043	H1	
05	C16	3463	C18	3480	G20	3491	J17	3609	I11	3663	E13	6410	H7	7410	J18	T009	E2	T027	M2	T044	J9	
06	H16	3464	F18	3481	B14	3492	I18	3610	B19	3664	I18	6411	H5	7411	J20	T010	E2	T028	B8	T046	J10	
07	C16	3465	C19	3481	I14	3493	I18	3615	B8	3665	K19	6412	H7	7412	J20	T011	E2	T029	C10			
08	G16	3466	F19	3482	B14	3494	I19	3616	I19	3670	J4	6414	H7	7413	J20	T012	E2	T030	E10			
09	D16	3469	D19	3482	H14	3495	I19	3617	I20	3671	K3	6415	H6	7445	H12	T013	G3	T031	J16			
10	F16	3470	G19	3483	G14	3496	I20	3618	J21	3676	J4	6416	H8	7446	H11	T014	G3	T032	J16			
11	E16	3471	E19	3483	C14	3497	I21	3649	L4	5405	J8	6442	I11	7447	L4	T015	G3	T033	J16			
12	F16	3472	H19	3484	G14	3498	J21	3650	L4	6402	D8	6453	H20	7448	K4	T016	G3	T034	K16			
13	E15	3473	E17	3484	D14	3601	D10	3651	L4	6403	D6	7403	G18	T001	B2	T017	H2	T035	D21			
14	F15	3474	E17	3485	D15	3602	F10	3652	L5	6404	E8	7403	D18	T002	B2	T018	H2	T036	D21			
15	D15	3475	C10	3485	F15	3603	E10	3653	L5	6405	F6	7406	I21	T003	B3	T019	I2	T037	D21			
16	F15	3476	E10	3486	K7	3604	G10	3654	L5	6406	F8	7407	D11	T004	B2	T020	I2	T038	G21			
17	C15	3477	K19	3487	K7	3605	J12	3655	L3	6406	F8			T005	C2	T021	J2	T039	J19			



1413 L12	1428 H18	1439 K18	2502 N5	3506 L11	3534 B11	3558 G22	3575 L13	3590 G21
1415 A1	1429 H16	1440 K17	2503 N6	3507 D10	3535 B11	3559 G22	3576 J14	3591 H21
1416 M5	1430 H16	1441 I18	2504 H12	3508 D11	3536 B11	3560 G22	3577 N12	3592 G21
1417 M6	1431 H17	1442 J16	2507 I22	3509 K8	3537 D10	3562 K9	3578 M13	3593 H22
1418 N2	1432 H18	1443 J16	2510 D11	3516 C8	3538 D10	3563 J5	3579 M13	3594 F12
1421 G16	1433 H16	1444 J16	2512 K3	3517 C9	3539 D9	3565 M8	3580 N14	3595 F12
1422 G17	1434 G16	1446 J18	2514 E19	3526 M9	3540 J3	3566 I12	3581 M14	3596 F12
1424 H17	1435 G17	1447 J17	3499 J9	3528 M8	3554 E15	3568 I12	3585 D14	3597 F12
1425 G18	1436 K16	1448 K16	3500 D10	3531 C11	3555 E16	3572 D11	3586 G14	3598 D14
1426 G16	1437 J16	1465 A11	3501 L5	3532 C11	3556 E17	3573 L13	3587 G15	3598 E19
1427 H16	1438 J17	2459 K7	3502 M5	3533 B11	3557 E18	3574 J14	3589 H21	3613 K9



3575 L13	3590 G21	3620 G12	6420 H20	7419 C21	8400 L9	T058 N2	T072 C11	T098 J8
3576 J14	3591 H21	3621 K10	6421 H20	7420 I20	9402 C4	T059 M6	T073 C11	T099 J8
3577 N12	3592 G21	3622 J10	6422 J20	7421 M8	9404 C10	T061 M8	T078 E12	T100 J9
3578 M13	3593 H22	3623 K10	6423 K20	7422 L7	T050 L2	T062 J10	T082 F16	T101 L2
3579 N14	3594 F12	3624 J10	6424 K21	7423 L5	T051 L2	T064 I12	T083 F15	T102 L12
3580 M14	3595 F12	3627 L5	6425 K21	7424 L6	T052 L3	T065 I12	T084 J19	T103 M12
3581 M14	3596 F12	3668 M7	6428 M5	7425 M5	T053 L2	T066 N15	T085 J19	T104 M12
3585 D14	3597 F12	5401 J8	6433 J7	7427 K3	T054 M2	T068 C9	T086 H19	T105 J8
3586 G14	3598 D14	5402 G12	6434 M7	7427 K3	T055 M2	T069 C10	T087 H19	T106 M6
3587 G15	3612 E19	6418 F20	7415A F8	7433 N13	T056 M2	T070 C10	T088 F17	T107 C19
3589 H21	3613 K9	6419 G20	7418 C7	7440 N13	T057 M2	T071 C10	T089 F18	

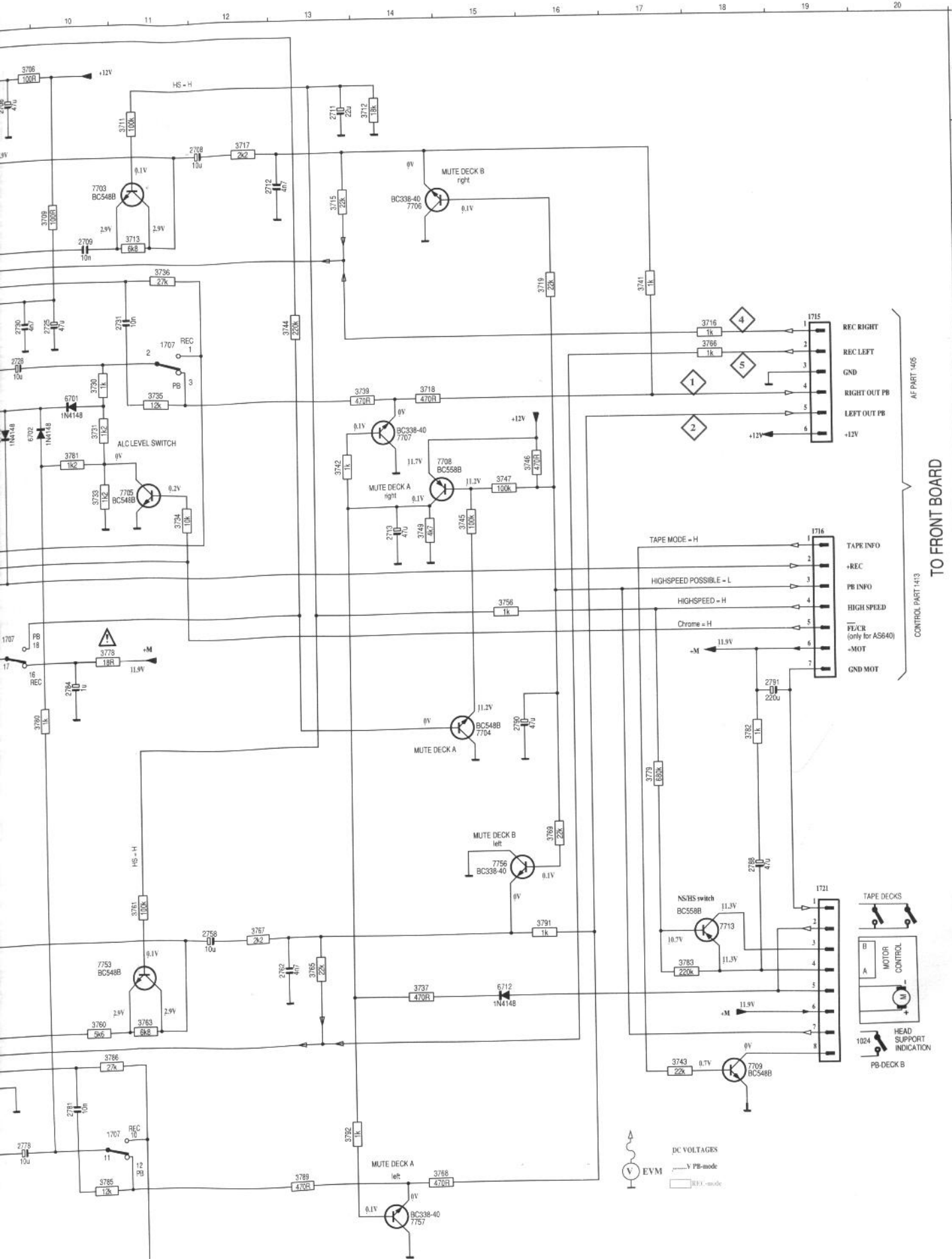


DC VOLTAGES  
measured in  
tuner mode

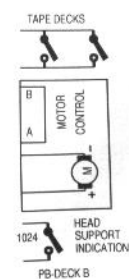
EVM



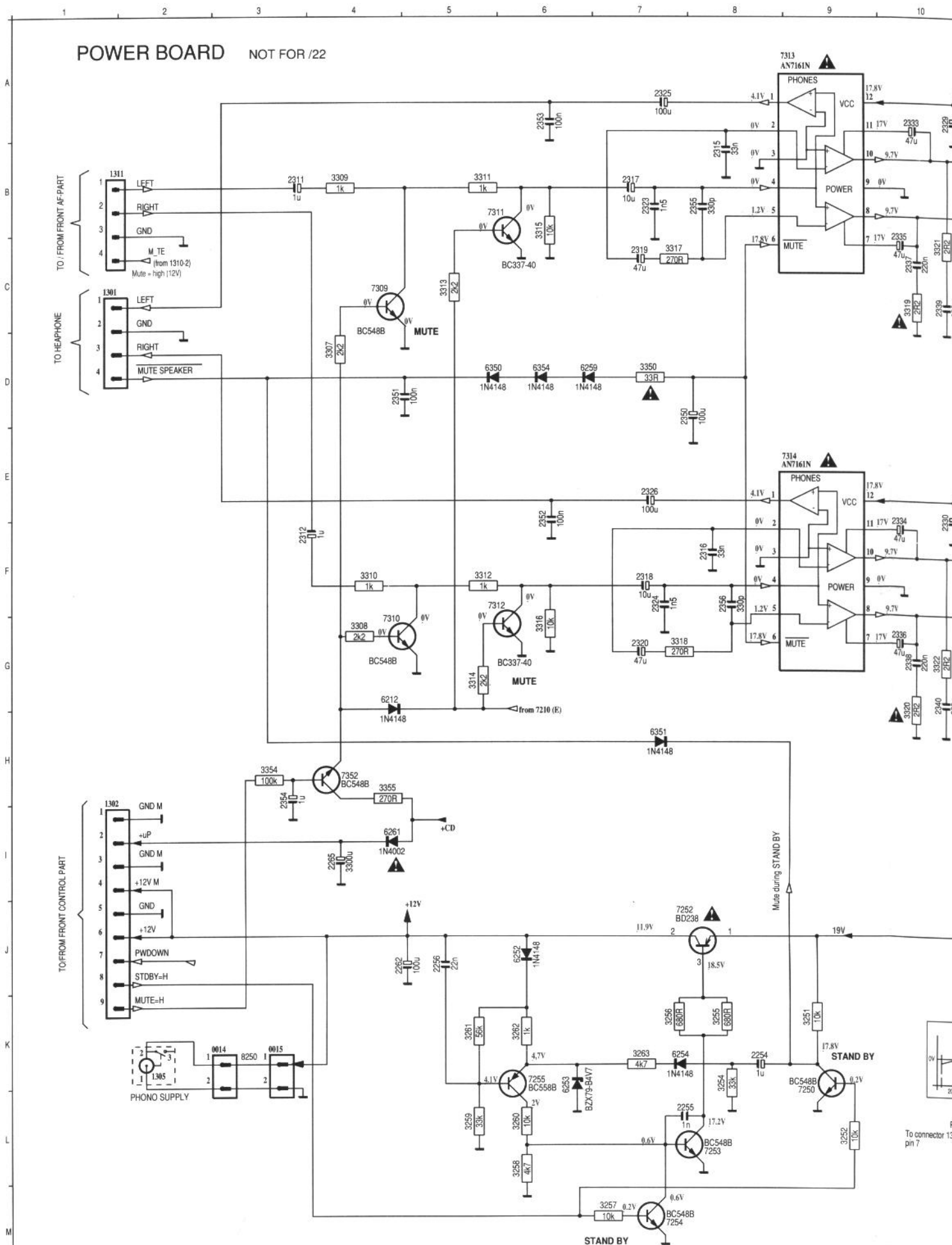




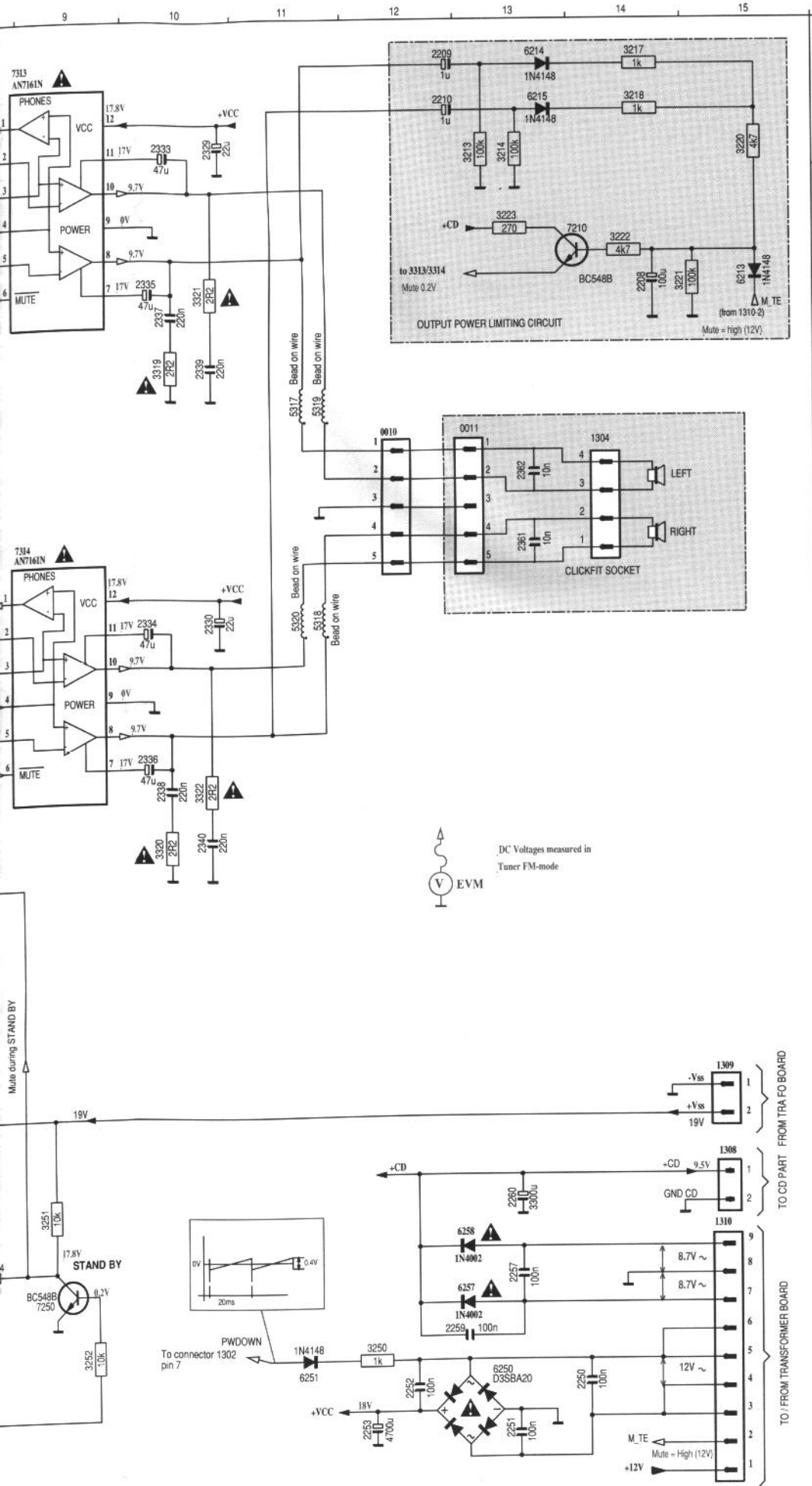
- AF PART 405
- TO FRONT BOARD
- CONTROL PART 143
- 1707 D11
  - 1707 M10
  - 1707 N 4
  - 1707 J 6
  - 1707 G 9
  - 1707 D 4
  - 1713 I 2
  - 1714 J 2
  - 1715 D18
  - 1716 F19
  - 1721 K19
  - 2701 B 5
  - 2702 A 9
  - 2703 B 6
  - 2705 A 9
  - 2706 A 8
  - 2708 B12
  - 2709 C10
  - 2711 A13
  - 2712 B13
  - 2713 F14
  - 2720 C 5
  - 2721 E 5
  - 2722 D 6
  - 2723 E 6
  - 2724 D 7
  - 2725 D10
  - 2726 E 8
  - 2728 D 9
  - 2730 D 9
  - 2731 D11
  - 2732 F 6
  - 2751 L 5
  - 2753 L 5
  - 2754 K 7
  - 2756 K12
  - 2759 L 8
  - 2762 L13
  - 2770 M 5
  - 2771 O 5
  - 2772 M 6
  - 2773 N 6
  - 2774 N 7
  - 2775 M 9
  - 2778 N 9
  - 2781 M10
  - 2782 O 6
  - 2783 J 5
  - 2784 H10
  - 2785 J 7
  - 2786 J18
  - 2789 I 7
  - 2790 I15
  - 2791 H16
  - 3701 A 4
  - 3702 A 6
  - 3703 B 6
  - 3704 B 6
  - 3705 B 5
  - 3706 A 9
  - 3708 B10
  - 3710 B 8
  - 3711 A11
  - 3712 A14
  - 3713 B11
  - 3715 B13
  - 3716 D18
  - 3717 B12
  - 3718 F14
  - 3719 C16
  - 3720 D 4
  - 3721 F 4
  - 3722 D 6
  - 3723 D 6
  - 3724 F 6
  - 3725 E 5
  - 3727 E 8
  - 3728 I 8
  - 3730 E10
  - 3731 E10
  - 3732 I 8
  - 3733 F10
  - 3734 F11
  - 3735 C11
  - 3736 C11
  - 3737 L14
  - 3738 F 6
  - 3739 E14
  - 3741 C17
  - 3742 F13
  - 3743 M17
  - 3744 D15
  - 3745 F15
  - 3746 F16
  - 3747 F15
  - 3749 F14
  - 3751 K 4
  - 3752 K 6
  - 3753 K 6
  - 3754 L 6
  - 3755 L 5
  - 3756 D15
  - 3760 L10
  - 3761 K11
  - 3763 L11
  - 3765 L18
  - 3766 D18
  - 3767 K12
  - 3768 N14
  - 3769 J16
  - 3770 M 4
  - 3771 O 7
  - 3772 M 6
  - 3773 N 6
  - 3774 O 6
  - 3775 O 5
  - 3778 H10
  - 3779 I17
  - 3780 I 9
  - 3781 E10
  - 3782 I18
  - 3783 L17
  - 3785 M10
  - 3786 M10
  - 3788 O 6
  - 3789 M13
  - 3791 K18
  - 3792 N13
  - 3796 H 6
  - 3797 G 7
  - 3798 H 7
  - 3799 G 8
  - 5701 J 8
  - 5702 J 8
  - 6708 E10
  - 6702 E 9
  - 6704 H 6
  - 6705 H 7
  - 6706 H 7
  - 6707 I 8
  - 6710 E 9
  - 6712 L15
  - 7701 N 8
  - 7701 D 8
  - 7706 B 8
  - 7702 K 8
  - 7703 B10
  - 7704 I15
  - 7705 F11
  - 7706 B14
  - 7707 E14
  - 7708 F14
  - 7709 M18
  - 7712 H 9
  - 7713 K18
  - 7753 K10
  - 7756 J15
  - 7757 O14



# POWER BOARD NOT FOR /22



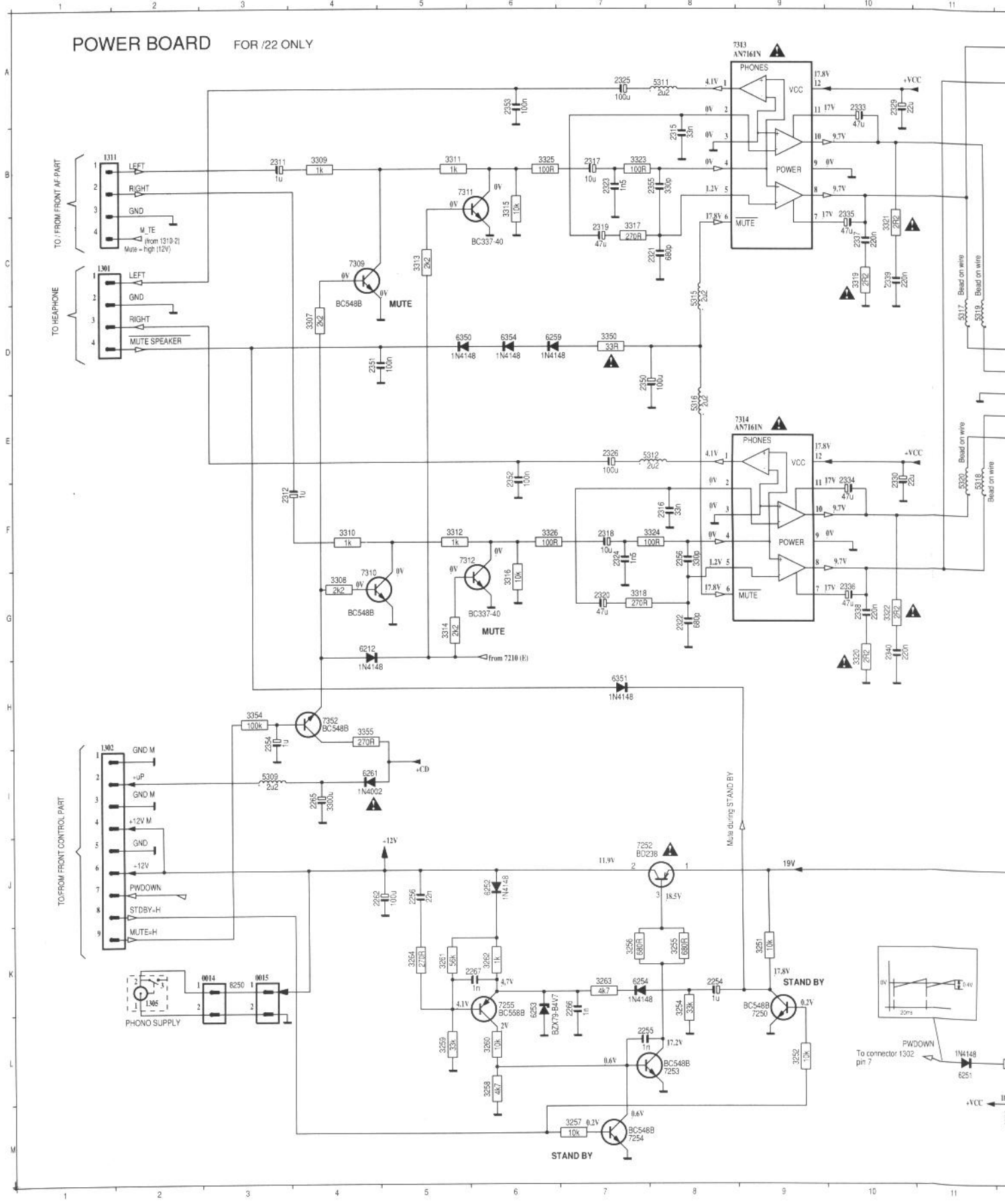
To connector 1301 pin 7



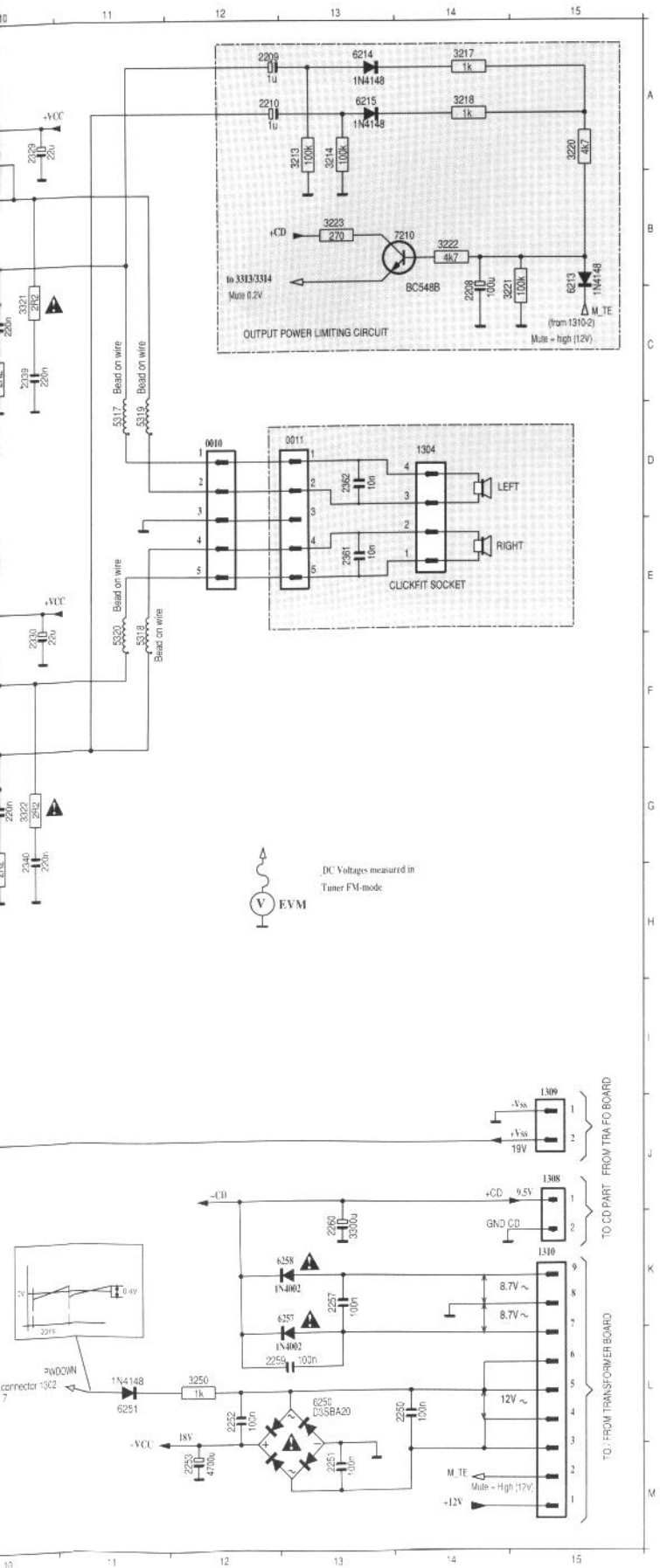
0010	D12	3311	B5
0011	D13	3312	F5
0014	K2	3313	C5
0015	K3	3314	G5
		3315	C6
1301	D1	3316	G6
1302	I2	3317	C7
1304	D14	3318	G7
1305	K2	3319	C10
1308	L11	3320	G10
1310	J15	3321	C10
1311	B1	3322	G10
		3323	B7
2208	C14	3324	F7
2209	A12	3325	B6
2210	A12	3326	F6
2250	K13	3349	D13
2251	K13	3350	D7
2252	J12	3354	H3
2253	K12	3355	H4
2254	K8		
2255	L7	5309	I3
2256	J5	5311	A8
2257	L13	5312	E8
2259	L12	5315	D8
2260	L12	5316	E8
2262	J4	5317	D11
2265	I4	5318	E11
2311	B3	5319	D11
2312	F3	5320	E11
2315	B8		
2316	F8	6212	H5
2317	B7	6213	B15
2318	F7	6214	A13
2319	C7	6215	A13
2320	G7	6250	J13
2323	B7	6251	J10
2324	F7	6252	J6
2325	A7	6253	K6
2326	E7	6254	K7
2327	A8	6257	L13
2328	E8	6258	N11
2329	A10	6259	D6
2330	E10	6261	I4
2333	A10	6270	I10
2334	F10	6350	D5
2335	C10	6351	I7
2336	G10	6354	D6
2337	C10		
2338	G10	7210	B14
2339	C10	7250	K9
2340	G10	7252	J8
2345	E13	7253	L8
2346	D13	7254	M7
2350	D7	7255	K6
2351	D3	7309	C4
2352	D3	7310	G4
2353	C3	7311	B5
2354	H4	7312	F5
2355	B8	7313	A9
2356	F8	7314	E9
2361	E13	7352	H4
2362	D13		
3213	A13		
3214	A13		
3217	A14		
3218	A15		
3221	C15		
3222	B14		
3223	B13		
3250	J10		
3251	K9		
3252	L9		
3254	K8		
3255	K8		
3256	K7		
3257	M7		
3258	L6		
3259	L5		
3260	L6		
3261	K5		
3262	K6		
3263	K7		
3270	I10		
3307	D4		
3308	G4		
3309	B4		
3310	F4		

0010	D12	1305	K2	2210	A12	2256	J5	2267	K5	2319	C7	2326	E7	2336	G10	2352	F6	3213	A13	3223	B13	3257	M7	3264	K5	3312	F5	3319	C10	3320	G10	3321	F5	3322	G10	3323	F5	3324	G10	3325	F5	3326	G10	3327	F5	3328	G10	3329	F5	3330	G10	3331	F5	3332	G10	3333	F5	3334	G10	3335	F5	3336	G10	3337	F5	3338	G10	3339	F5	3340	G10	3341	F5	3342	G10	3343	F5	3344	G10	3345	F5	3346	G10	3347	F5	3348	G10	3349	F5	3350	G10	3351	F5	3352	G10	3353	F5	3354	G10	3355	F5	3356	G10	3357	F5	3358	G10	3359	F5	3360	G10	3361	F5	3362	G10	3363	F5	3364	G10	3365	F5	3366	G10	3367	F5	3368	G10	3369	F5	3370	G10	3371	F5	3372	G10	3373	F5	3374	G10	3375	F5	3376	G10	3377	F5	3378	G10	3379	F5	3380	G10	3381	F5	3382	G10	3383	F5	3384	G10	3385	F5	3386	G10	3387	F5	3388	G10	3389	F5	3390	G10	3391	F5	3392	G10	3393	F5	3394	G10	3395	F5	3396	G10	3397	F5	3398	G10	3399	F5	3400	G10	3401	F5	3402	G10	3403	F5	3404	G10	3405	F5	3406	G10	3407	F5	3408	G10	3409	F5	3410	G10	3411	F5	3412	G10	3413	F5	3414	G10	3415	F5	3416	G10	3417	F5	3418	G10	3419	F5	3420	G10	3421	F5	3422	G10	3423	F5	3424	G10	3425	F5	3426	G10	3427	F5	3428	G10	3429	F5	3430	G10	3431	F5	3432	G10	3433	F5	3434	G10	3435	F5	3436	G10	3437	F5	3438	G10	3439	F5	3440	G10	3441	F5	3442	G10	3443	F5	3444	G10	3445	F5	3446	G10	3447	F5	3448	G10	3449	F5	3450	G10	3451	F5	3452	G10	3453	F5	3454	G10	3455	F5	3456	G10	3457	F5	3458	G10	3459	F5	3460	G10	3461	F5	3462	G10	3463	F5	3464	G10	3465	F5	3466	G10	3467	F5	3468	G10	3469	F5	3470	G10	3471	F5	3472	G10	3473	F5	3474	G10	3475	F5	3476	G10	3477	F5	3478	G10	3479	F5	3480	G10	3481	F5	3482	G10	3483	F5	3484	G10	3485	F5	3486	G10	3487	F5	3488	G10	3489	F5	3490	G10	3491	F5	3492	G10	3493	F5	3494	G10	3495	F5	3496	G10	3497	F5	3498	G10	3499	F5	3500	G10	3501	F5	3502	G10	3503	F5	3504	G10	3505	F5	3506	G10	3507	F5	3508	G10	3509	F5	3510	G10	3511	F5	3512	G10	3513	F5	3514	G10	3515	F5	3516	G10	3517	F5	3518	G10	3519	F5	3520	G10	3521	F5	3522	G10	3523	F5	3524	G10	3525	F5	3526	G10	3527	F5	3528	G10	3529	F5	3530	G10	3531	F5	3532	G10	3533	F5	3534	G10	3535	F5	3536	G10	3537	F5	3538	G10	3539	F5	3540	G10	3541	F5	3542	G10	3543	F5	3544	G10	3545	F5	3546	G10	3547	F5	3548	G10	3549	F5	3550	G10	3551	F5	3552	G10	3553	F5	3554	G10	3555	F5	3556	G10	3557	F5	3558	G10	3559	F5	3560	G10	3561	F5	3562	G10	3563	F5	3564	G10	3565	F5	3566	G10	3567	F5	3568	G10	3569	F5	3570	G10	3571	F5	3572	G10	3573	F5	3574	G10	3575	F5	3576	G10	3577	F5	3578	G10	3579	F5	3580	G10	3581	F5	3582	G10	3583	F5	3584	G10	3585	F5	3586	G10	3587	F5	3588	G10	3589	F5	3590	G10	3591	F5	3592	G10	3593	F5	3594	G10	3595	F5	3596	G10	3597	F5	3598	G10	3599	F5	3600	G10	3601	F5	3602	G10	3603	F5	3604	G10	3605	F5	3606	G10	3607	F5	3608	G10	3609	F5	3610	G10	3611	F5	3612	G10	3613	F5	3614	G10	3615	F5	3616	G10	3617	F5	3618	G10	3619	F5	3620	G10	3621	F5	3622	G10	3623	F5	3624	G10	3625	F5	3626	G10	3627	F5	3628	G10	3629	F5	3630	G10	3631	F5	3632	G10	3633	F5	3634	G10	3635	F5	3636	G10	3637	F5	3638	G10	3639	F5	3640	G10	3641	F5	3642	G10	3643	F5	3644	G10	3645	F5	3646	G10	3647	F5	3648	G10	3649	F5	3650	G10	3651	F5	3652	G10	3653	F5	3654	G10	3655	F5	3656	G10	3657	F5	3658	G10	3659	F5	3660	G10	3661	F5	3662	G10	3663	F5	3664	G10	3665	F5	3666	G10	3667	F5	3668	G10	3669	F5	3670	G10	3671	F5	3672	G10	3673	F5	3674	G10	3675	F5	3676	G10	3677	F5	3678	G10	3679	F5	3680	G10	3681	F5	3682	G10	3683	F5	3684	G10	3685	F5	3686	G10	3687	F5	3688	G10	3689	F5	3690	G10	3691	F5	3692	G10	3693	F5	3694	G10	3695	F5	3696	G10	3697	F5	3698	G10	3699	F5	3700	G10	3701	F5	3702	G10	3703	F5	3704	G10	3705	F5	3706	G10	3707	F5	3708	G10	3709	F5	3710	G10	3711	F5	3712	G10	3713	F5	3714	G10	3715	F5	3716	G10	3717	F5	3718	G10	3719	F5	3720	G10	3721	F5	3722	G10	3723	F5	3724	G10	3725	F5	3726	G10	3727	F5	3728	G10	3729	F5	3730	G10	3731	F5	3732	G10	3733	F5	3734	G10	3735	F5	3736	G10	3737	F5	3738	G10	3739	F5	3740	G10	3741	F5	3742	G10	3743	F5	3744	G10	3745	F5	3746	G10	3747	F5	3748	G10	3749	F5	3750	G10	3751	F5	3752	G10	3753	F5	3754	G10	3755	F5	3756	G10	3757	F5	3758	G10	3759	F5	3760	G10	3761	F5	3762	G10	3763	F5	3764	G10	3765	F5	3766	G10	3767	F5	3768	G10	3769	F5	3770	G10	3771	F5	3772	G10	3773	F5	3774	G10	3775	F5	3776	G10	3777	F5	3778	G10	3779	F5	3780	G10	3781	F5	3782	G10	3783	F5	3784	G10	3785	F5	3786	G10	3787	F5	3788	G10	3789	F5	3790	G10	3791	F5	3792	G10	3793	F5	3794	G10	3795	F5	3796	G10	3797	F5	3798	G10	3799	F5	3800	G10	3801	F5	3802	G10	3803	F5	3804	G10	3805	F5	3806	G10	3807	F5	3808	G10	3809	F5	3810	G10	3811	F5	3812	G10	3813	F5	3814	G10	3815	F5	3816	G10	3817	F5	3818	G10	3819	F5	3820	G10	3821	F5	3822	G10	3823	F5	3824	G10	3825	F5	3826	G10	3827	F5	3828	G10	3829	F5	3830	G10	3831	F5	3832	G10	3833	F5	3834	G10	3835	F5	3836	G10	3837	F5	3838	G10	3839	F5	3840	G10	3841	F5	3842	G10	3843	F5	3844	G10	3845	F5	3846	G10	3847	F5	3848	G10	3849	F5	3850	G10	3851	F5	3852	G10	3853	F5	3854	G10	3855	F5	3856	G10	3857	F5	3858	G10	3859	F5	3860	G10	3861	F5	3862	G10	3863	F5	3864	G10	3865	F5	3866	G10	3867	F5	3868	G10	3869	F5	3870	G10	3871	F5	3872	G10	3873	F5	3874	G10	3875	F5	3876	G10	3877	F5	3878	G10	3879	F5	3880	G10	3881	F5	3882	G10	3883	F5	3884	G10	3885	F5	3886	G10	3887	F5	3888	G10	3889	F5	3890	G10	3891	F5	3892	G10	3893	F5	3894	G10	3895	F5	3896	G10	3897	F5	3898	G10	3899	F5	3900	G10	3901	F5	3902	G10	3903	F5	3904	G10	3905	F5	3906	G10	3907	F5	3908	G10	3909	F5	3910	G10	3911	F5	3912	G10	3913	F5	3914	G10	3915	F5	3916	G10	3917	F5	3918	G10	3919	F5	3920	G10	3921	F5	3922	G10	3923	F5	3924	G10	3925	F5	3926	G10	3927	F5	3928	G10	3929	F5	3930	G10	3931	F5	3932	G10	3933	F5	3934	G10	3935	F5	3936	G10	3937	F5	3938	G10	3939	F5	3940	G10	3941	F5	3942	G10	3943	F5	3944	G10	3945	F5	3946	G10	3947	F5	3948	G10	3949	F5	3950	G10	3951	F5	3952	G10	3953	F5	3954	G10	3955	F5	3956	G10	3957	F5	3958	G10	3959	F5	3960	G10	3961	F5	3962	G10	3963	F5	3964	G10	3965	F5	3966	G10	3967	F5	3968	G10	3969	F5	3970	G10	3971	F5	3972	G10	3973	F5	3974	G10	3975	F5	3976	G10	3977	F5	3978	G10	3979	F5	3980	G10	3981	F5	3982	G10	3983	F5	3984	G10	3985	F5	3986	G10	3987	F5	3988	G10	3989	F5	3990	G10	3991	F5	3992	G10	3993	F5	3994	G10	3995	F5	3996	G10	3997	F5	3998	G10	3999	F5	4000	G10
------	-----	------	----	------	-----	------	----	------	----	------	----	------	----	------	-----	------	----	------	-----	------	-----	------	----	------	----	------	----	------	-----	------	-----	------	----	------	-----	------	----	------	-----	------	----	------	-----	------	----	------	-----	------	----	------	-----	------	----	------	-----	------	----	------	-----	------	----	------	-----	------	----	------	-----	------	----	------	-----	------	----	------	-----	------	----	------	-----	------	----	------	-----	------	----	------	-----	------	----	------	-----	------	----	------	-----	------	----	------	-----	------	----	------	-----	------	----	------	-----	------	----	------	-----	------	----	------	-----	------	----	------	-----	------	----	------	-----	------	----	------	-----	------	----	------	-----	------	----	------	-----	------	----	------	-----	------	----	------	-----	------	----	------	-----	------	----	------	-----	------	----	------	-----	------	----	------	-----	------	----	------	-----	------	----	------	-----	------	----	------	-----	------	----	------	-----	------	----	------	-----	------	----	------	-----	------	----	------	-----	------	----	------	-----	------	----	------	-----	------	----	------	-----	------	----	------	-----	------	----	------	-----	------	----	------	-----	------	----	------	-----	------	----	------	-----	------	----	------	-----	------	----	------	-----	------	----	------	-----	------	----	------	-----	------	----	------	-----	------	----	------	-----	------	----	------	-----	------	----	------	-----	------	----	------	-----	------	----	------	-----	------	----	------	-----	------	----	------	-----	------	----	------	-----	------	----	------	-----	------	----	------	-----	------	----	------	-----	------	----	------	-----	------	----	------	-----	------	----	------	-----	------	----	------	-----	------	----	------	-----	------	----	------	-----	------	----	------	-----	------	----	------	-----	------	----	------	-----	------	----	------	-----	------	----	------	-----	------	----	------	-----	------	----	------	-----	------	----	------	-----	------	----	------	-----	------	----	------	-----	------	----	------	-----	------	----	------	-----	------	----	------	-----	------	----	------	-----	------	----	------	-----	------	----	------	-----	------	----	------	-----	------	----	------	-----	------	----	------	-----	------	----	------	-----	------	----	------	-----	------	----	------	-----	------	----	------	-----	------	----	------	-----	------	----	------	-----	------	----	------	-----	------	----	------	-----	------	----	------	-----	------	----	------	-----	------	----	------	-----	------	----	------	-----	------	----	------	-----	------	----	------	-----	------	----	------	-----	------	----	------	-----	------	----	------	-----	------	----	------	-----	------	----	------	-----	------	----	------	-----	------	----	------	-----	------	----	------	-----	------	----	------	-----	------	----	------	-----	------	----	------	-----	------	----	------	-----	------	----	------	-----	------	----	------	-----	------	----	------	-----	------	----	------	-----	------	----	------	-----	------	----	------	-----	------	----	------	-----	------	----	------	-----	------	----	------	-----	------	----	------	-----	------	----	------	-----	------	----	------	-----	------	----	------	-----	------	----	------	-----	------	----	------	-----	------	----	------	-----	------	----	------	-----	------	----	------	-----	------	----	------	-----	------	----	------	-----	------	----	------	-----	------	----	------	-----	------	----	------	-----	------	----	------	-----	------	----	------	-----	------	----	------	-----	------	----	------	-----	------	----	------	-----	------	----	------	-----	------	----	------	-----	------	----	------	-----	------	----	------	-----	------	----	------	-----	------	----	------	-----	------	----	------	-----	------	----	------	-----	------	----	------	-----	------	----	------	-----	------	----	------	-----	------	----	------	-----	------	----	------	-----	------	----	------	-----	------	----	------	-----	------	----	------	-----	------	----	------	-----	------	----	------	-----	------	----	------	-----	------	----	------	-----	------	----	------	-----	------	----	------	-----	------	----	------	-----	------	----	------	-----	------	----	------	-----	------	----	------	-----	------	----	------	-----	------	----	------	-----	------	----	------	-----	------	----	------	-----	------	----	------	-----	------	----	------	-----	------	----	------	-----	------	----	------	-----	------	----	------	-----	------	----	------	-----	------	----	------	-----	------	----	------	-----	------	----	------	-----	------	----	------	-----	------	----	------	-----	------	----	------	-----	------	----	------	-----	------	----	------	-----	------	----	------	-----	------	----	------	-----	------	----	------	-----	------	----	------	-----	------	----	------	-----	------	----	------	-----	------	----	------	-----	------	----	------	-----	------	----	------	-----	------	----	------	-----	------	----	------	-----	------	----	------	-----	------	----	------	-----	------	----	------	-----	------	----	------	-----	------	----	------	-----	------	----	------	-----	------	----	------	-----	------	----	------	-----	------	----	------	-----	------	----	------	-----	------	----	------	-----	------	----	------	-----	------	----	------	-----	------	----	------	-----	------	----	------	-----	------	----	------	-----	------	----	------	-----	------	----	------	-----	------	----	------	-----	------	----	------	-----	------	----	------	-----	------	----	------	-----	------	----	------	-----	------	----	------	-----	------	----	------	-----	------	----	------	-----	------	----	------	-----	------	----	------	-----	------	----	------	-----	------	----	------	-----	------	----	------	-----	------	----	------	-----	------	----	------	-----	------	----	------	-----	------	----	------	-----	------	----	------	-----	------	----	------	-----	------	----	------	-----	------	----	------	-----	------	----	------	-----	------	----	------	-----	------	----	------	-----	------	----	------	-----	------	----	------	-----	------	----	------	-----	------	----	------	-----	------	----	------	-----	------	----	------	-----	------	----	------	-----	------	----	------	-----	------	----	------	-----	------	----	------	-----	------	----	------	-----	------	----	------	-----	------	----	------	-----	------	----	------	-----	------	----	------	-----	------	----	------	-----	------	----	------	-----	------	----	------	-----	------	----	------	-----	------	----	------	-----	------	----	------	-----	------	----	------	-----	------	----	------	-----	------	----	------	-----	------	----	------	-----	------	----	------	-----	------	----	------	-----	------	----	------	-----	------	----	------	-----	------	----	------	-----	------	----	------	-----	------	----	------	-----	------	----	------	-----	------	----	------	-----	------	----	------	-----	------	----	------	-----	------	----	------	-----	------	----	------	-----	------	----	------	-----	------	----	------	-----	------	----	------	-----	------	----	------	-----	------	----	------	-----	------	----	------	-----	------	----	------	-----	------	----	------	-----	------	----	------	-----	------	----	------	-----	------	----	------	-----	------	----	------	-----	------	----	------	-----	------	----	------	-----	------	----	------	-----	------	----	------	-----	------	----	------	-----	------	----	------	-----	------	----	------	-----	------	----	------	-----	------	----	------	-----	------	----	------	-----	------	----	------	-----	------	----	------	-----	------	----	------	-----	------	----	------	-----	------	----	------	-----	------	----	------	-----	------	----	------	-----	------	----	------	-----	------	----	------	-----	------	----	------	-----	------	----	------	-----	------	----	------	-----	------	----	------	-----	------	----	------	-----	------	----	------	-----	------	----	------	-----	------	----	------	-----	------	----	------	-----	------	----	------	-----	------	----	------	-----	------	----	------	-----	------	----	------	-----	------	----	------	-----	------	----	------	-----	------	----	------	-----	------	----	------	-----	------	----	------	-----	------	----	------	-----	------	----	------	-----	------	----	------	-----	------	----	------	-----	------	----	------	-----	------	----	------	-----	------	----	------	-----	------	----	------	-----	------	----	------	-----	------	----	------	-----	------	----	------	-----	------	----	------	-----	------	----	------	-----	------	----	------	-----

POWER BOARD FOR /22 ONLY

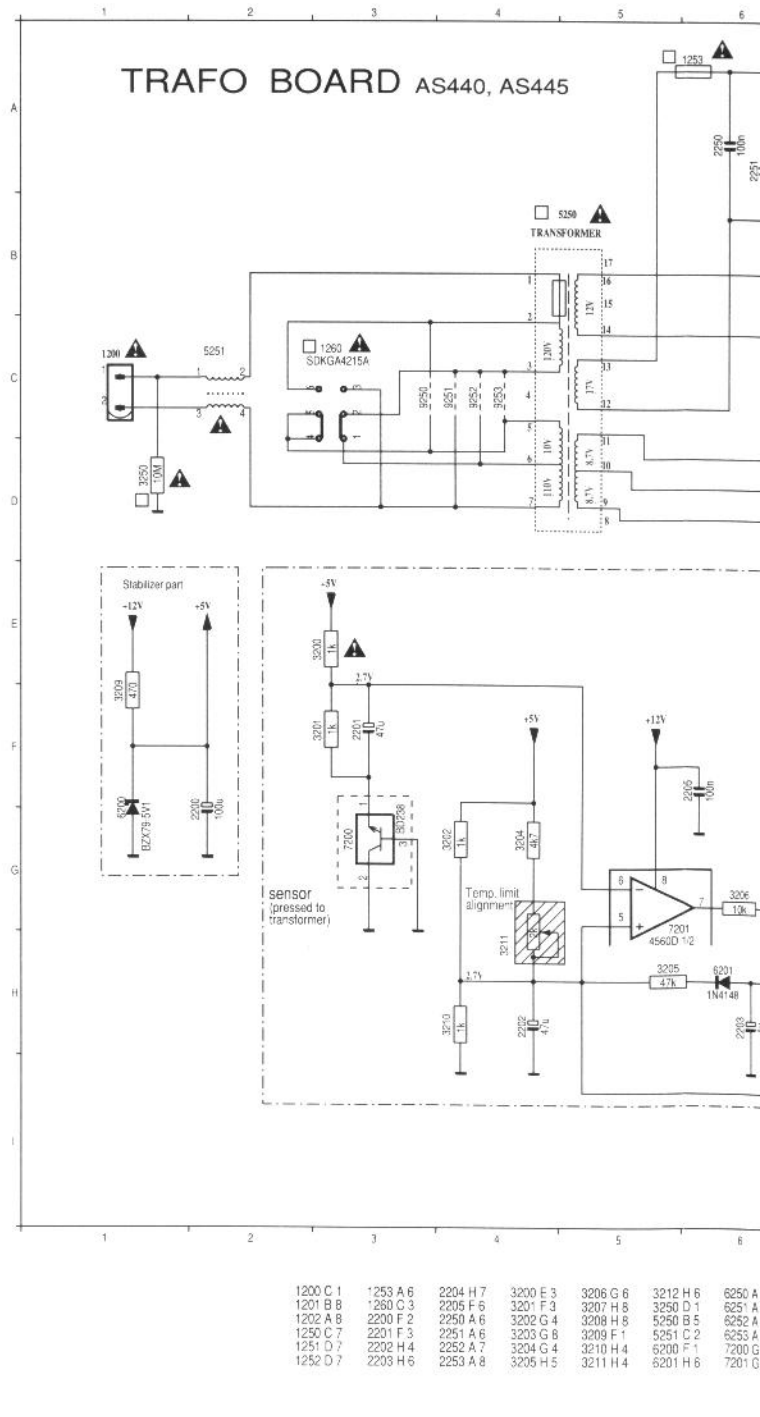


3312	F5	3319	C10	3326	F6	5315	D8	6213	B15	6254	K7	6354	D6	7309	C4
3313	C5	3320	G10	3350	D7	5316	E8	6214	A13	6257	K13	7210	B14	7310	G4
3314	G5	3321	C10	3354	H3	5317	D11	6215	A13	6258	N11	7250	K9	7311	B5
3315	C6	3322	G10	3355	H4	5318	E11	6250	L13	6259	D6	7252	J8	7312	F5
3316	G6	3323	B7	5309	I3	5319	D11	6251	L11	6261	I4	7253	L8	7313	A9
3317	C7	3324	F8	5311	A8	5320	E11	6252	J6	6350	D5	7254	M7	7314	E9
3318	G7	3325	B6	5312	E8	6212	G4	6253	K6	6351	H7	7255	K6	7352	H4



☐ Components depending on version

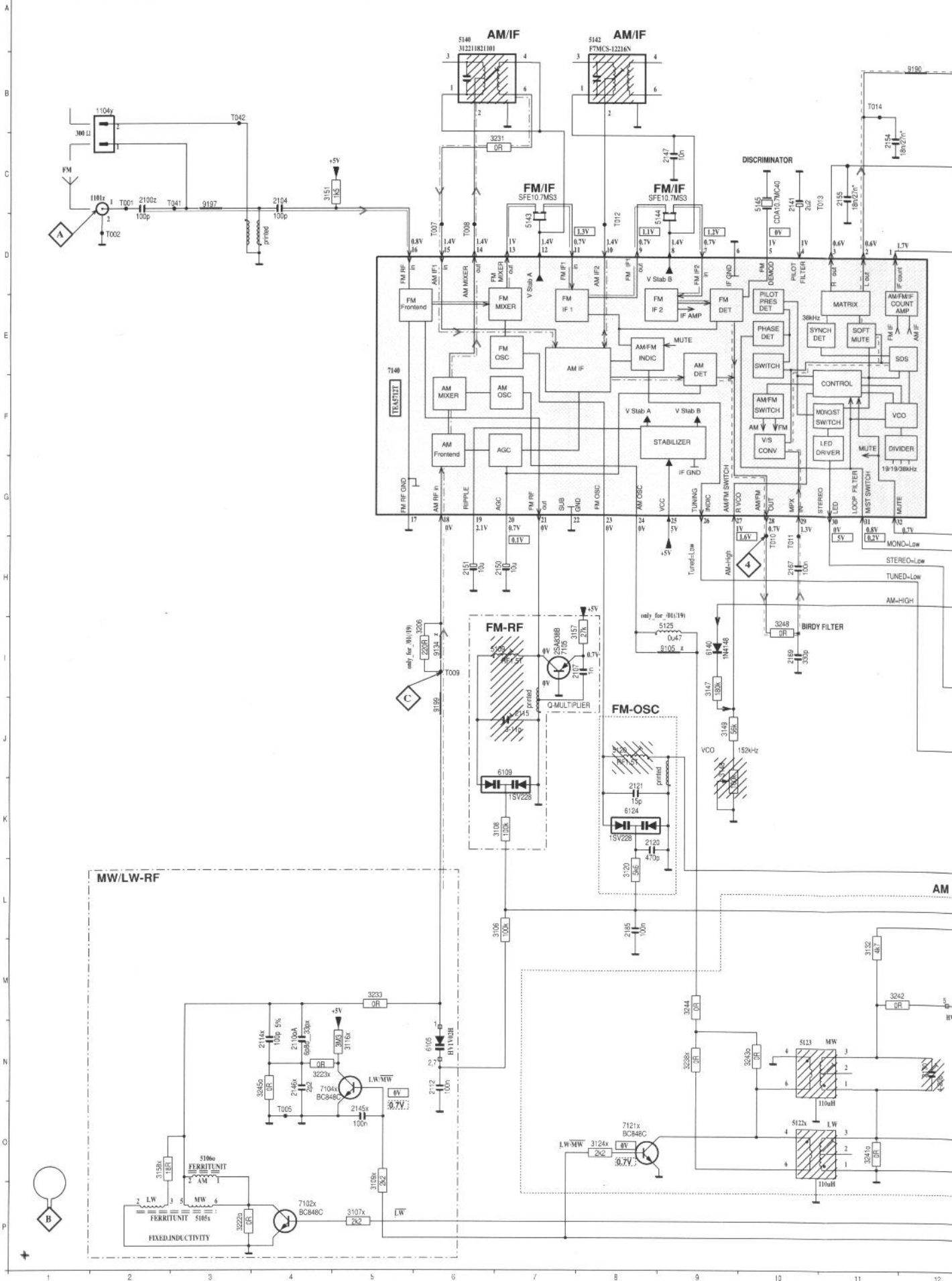
VERSION	COMPONENTS					
	☐	3250	1260	9253	9252	9251
/20 (IEC 230V)					✗	
/25 (240V)				✗		
/37 (UL 120V)		✗				✗
/21 /30 (120V,230V)			✗			✗



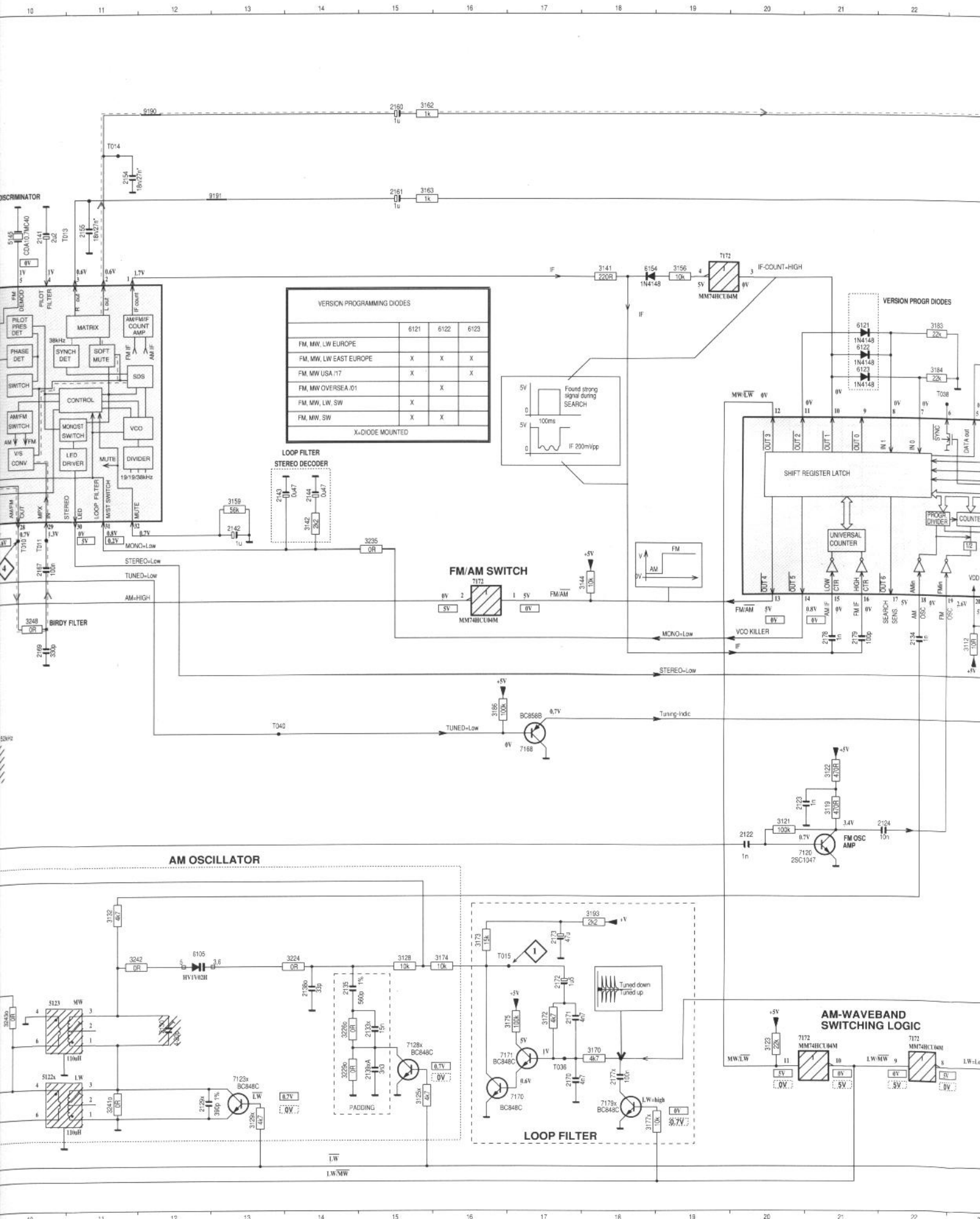
1200	C 1	1253	A 6	2204	H 7	3200	F 3	3206	G 6	3212	H 6	6250	A
1201	B 8	1260	C 3	2205	F 6	3201	F 3	3207	H 8	3250	D 1	6251	A
1202	A 8	2200	F 2	2250	A 6	3202	G 4	3208	H 8	5250	B 5	6252	A
1250	C 7	2201	F 3	2251	A 6	3203	G 8	3209	F 1	5251	C 2	6253	A
1251	D 7	2202	H 4	2252	A 7	3204	G 4	3210	H 4	6200	F 1	7200	G
1252	D 7	2203	H 5	2253	A 8	3205	H 5	3211	H 4	6201	H 6	7201	G



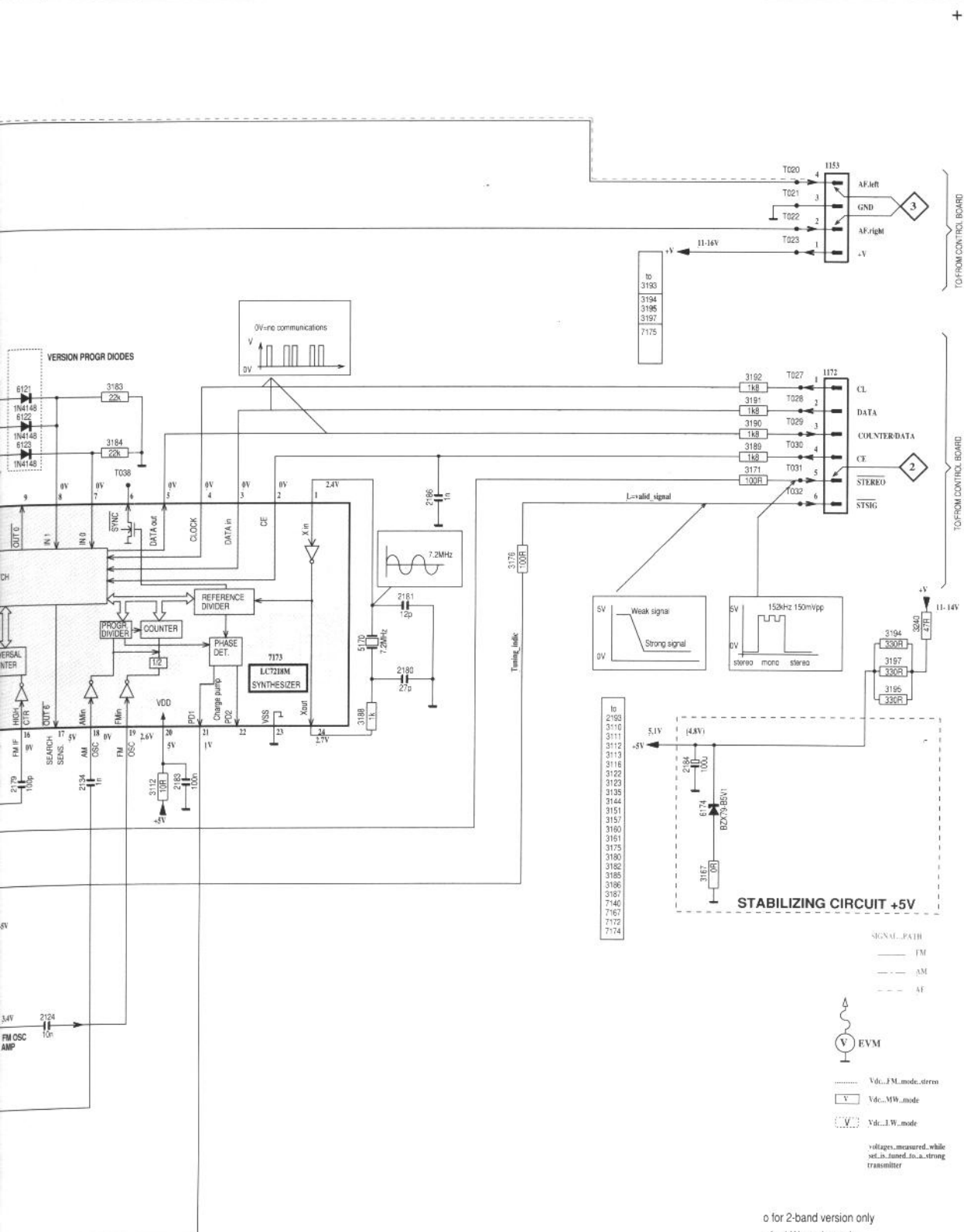
# TUNER UNIT ECO4-VA (MIDI)



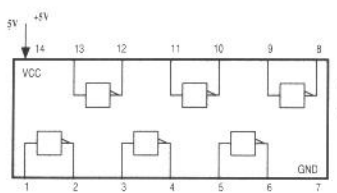
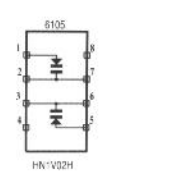
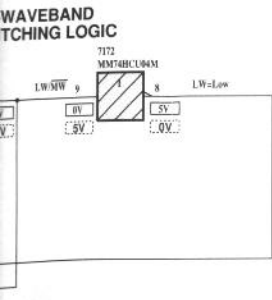




22 23 24 25 26 27 28 29 30 31

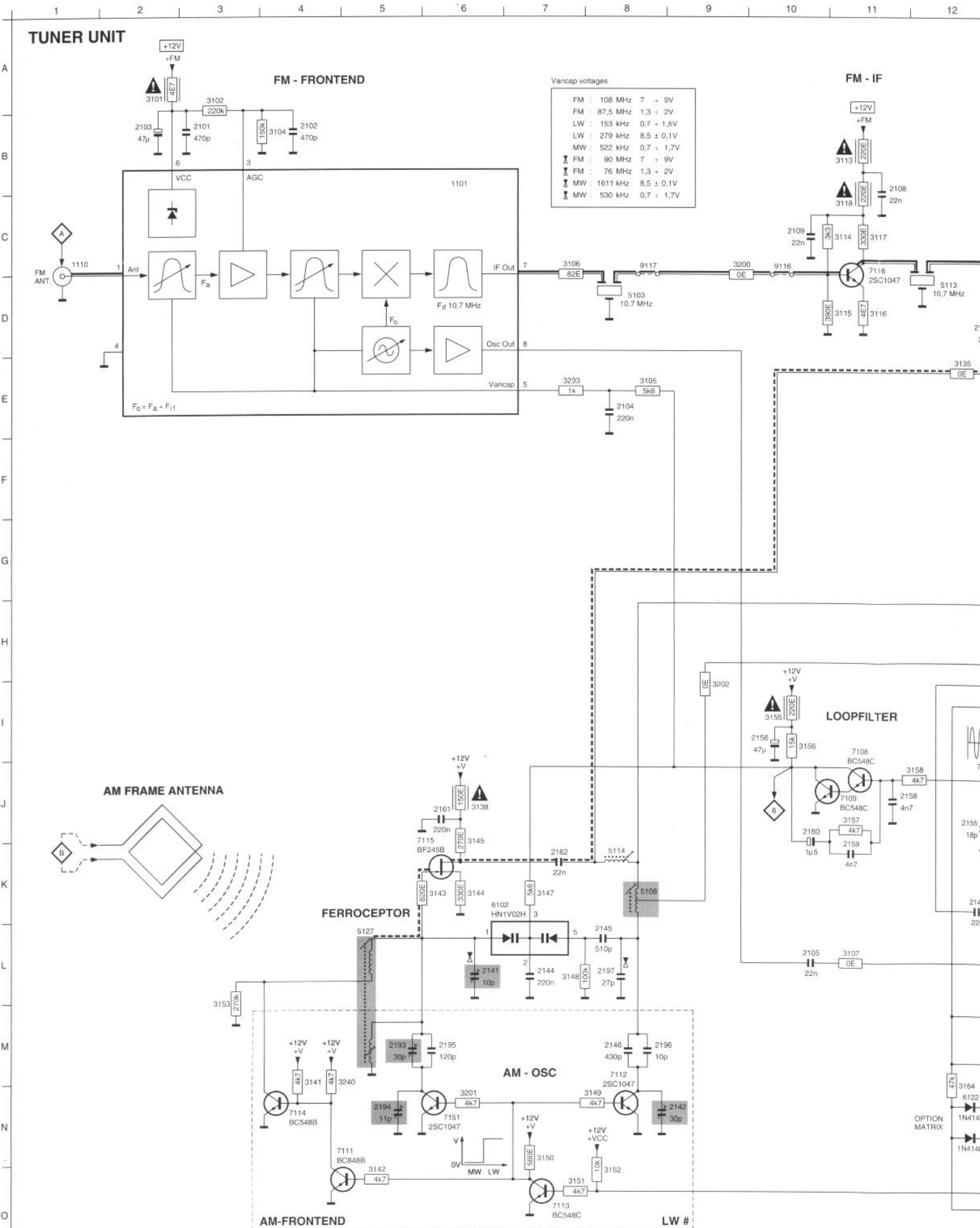


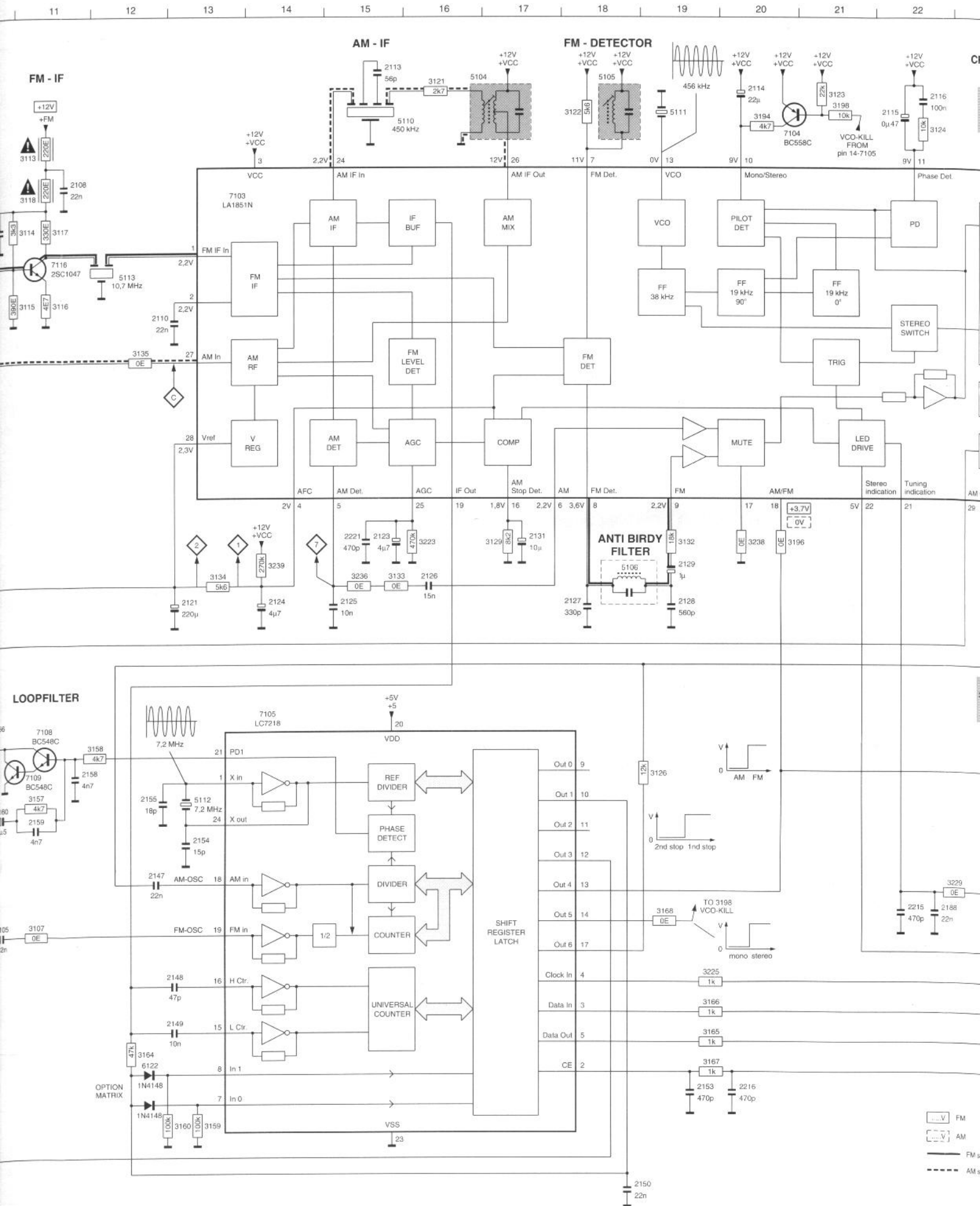
A	1101z C 1	TO11 H*0
	1104z C 2	TO12 C 6
	1153 B30	TO13 C 1
	1172 D30	TO14 B11
	2100z C 2	TO15 M16
	2104 C 4	TO20 B29
	2107 I 8	TO21 C29
	2119z N 4	TO22 C29
	2112 N 6	TO23 C29
	2114x N 4	TO27 D30
	2115 J 7	TO28 E30
	2120 K 8	TO29 E30
	2121 K 8	TO30 E30
	2122 K20	TO31 E30
	2123 K20	TO32 F30
	2124 K22	TO36 C17
	2129x C12	TO38 F22
	2130 M12	TO40 J13
	2133x N15	TO41 C 2
	2134 I22	TO42 B 3
	2135 N14	
	2138z N14	
	2138x O15	
	2141 C10	
	2142 G13	
	2143 G13	
	2144 G14	
	2145x O 5	
	2149x N 4	
	2147 C 9	
	2150 H 7	
	2151 H 6	
	2154 C11	
	2155 C12	
	2160 B15	
	2161 C15	
	2167 H10	
	2169 H10	
	2170 D17	
	2171 N17	
	2172 M17	
	2173 M17	
	2177x O18	
	2178 I21	
	2179 I21	
	2180 H25	
	2181 Q25	
	2183 I23	
	2184 I29	
	2185 L 8	
	2186 F26	
	3105 L 7	
	3107x P 5	
	3108 K 7	
	3109x O 5	
	3112 I25	
	3115x L 4	
	3118 K21	
	3119 L 8	
	3121 K20	
	3122 K21	
	3123 N20	
	3124x O 8	
	3125x O15	
	3128 M15	
	3129x O13	
	3132 M12	
	3141 D18	
	3142 G14	
	3144 H18	
	3147 I 9	
	3148 L 9	
	3149 J 9	
	3151 C 4	
	3151x O19	
	3157 I 7	
	3158x O 2	
	3159 O15	
	3162 D15	
	3163 C15	
	3167 I29	
	3170 N18	
	3171 F29	
	3172 N 7	
	3173 M15	
	3174 M16	
	3175 M17	
	3176 I27	
	3177x O18	
	3183 E22	
	3184 E22	
	3185 M14	
	3188 H25	
	3189 E29	
	3190 I26	
	3191 E29	
	3192 E29	
	3193 M16	
	3194 G31	
	3195 H31	
	3197 H31	
	3206 I 6	
	3222x P 3	
	3223x N 4	
	3224 M14	
	3226x N14	
	3229x O14	
	3231 C 7	
	3233 M 5	
	3235 H15	
	3238x N 9	
	3240 G31	
	3241x O11	
	3242 N11	
	3243x N10	
	3244 M 9	
	3245x N 4	
	3248 I 0	
	5105x P 2	
	5109x O 3	
	5109 I 7	
	5120 L 8	
	5122x O10	
	5123 M10	
	5125 L 9	
	5140 A 9	
	5142 A 8	
	5143 D 7	
	5144 D 9	
	5146 C10	
	5170 G25	
	6105 M12	
	6105 N5	
	6109 J 7	
	6121 E21	
	6122 E21	
	6123 E21	
	6124 K 8	
	6140 I 9	
	6154 D18	
	6174 I26	
	7102x P 4	
	7104x N 5	
	7105 I 7	
	7120 L20	
	7121x O 8	
	7123x O13	
	7125x N15	
	7140 E 5	
	7166 J 7	
	7170 C17	
	7171 O17	
	7172 H18	
	7172 I23	
	7172 O20	
	7172 N22	
	7172 N23	
	7172 O22	
	7173 H24	
	7173x O18	
	8105 I 18	
	8134 I 8	
	8190 B12	
	8191 C13	
	8197 C 3	
	8199 J 6	
	T001 C 2	
	T002 D 2	
	T003 O 4	
	T007 D 6	
	T008 D 6	
	T009 I 8	
	T010 H10	



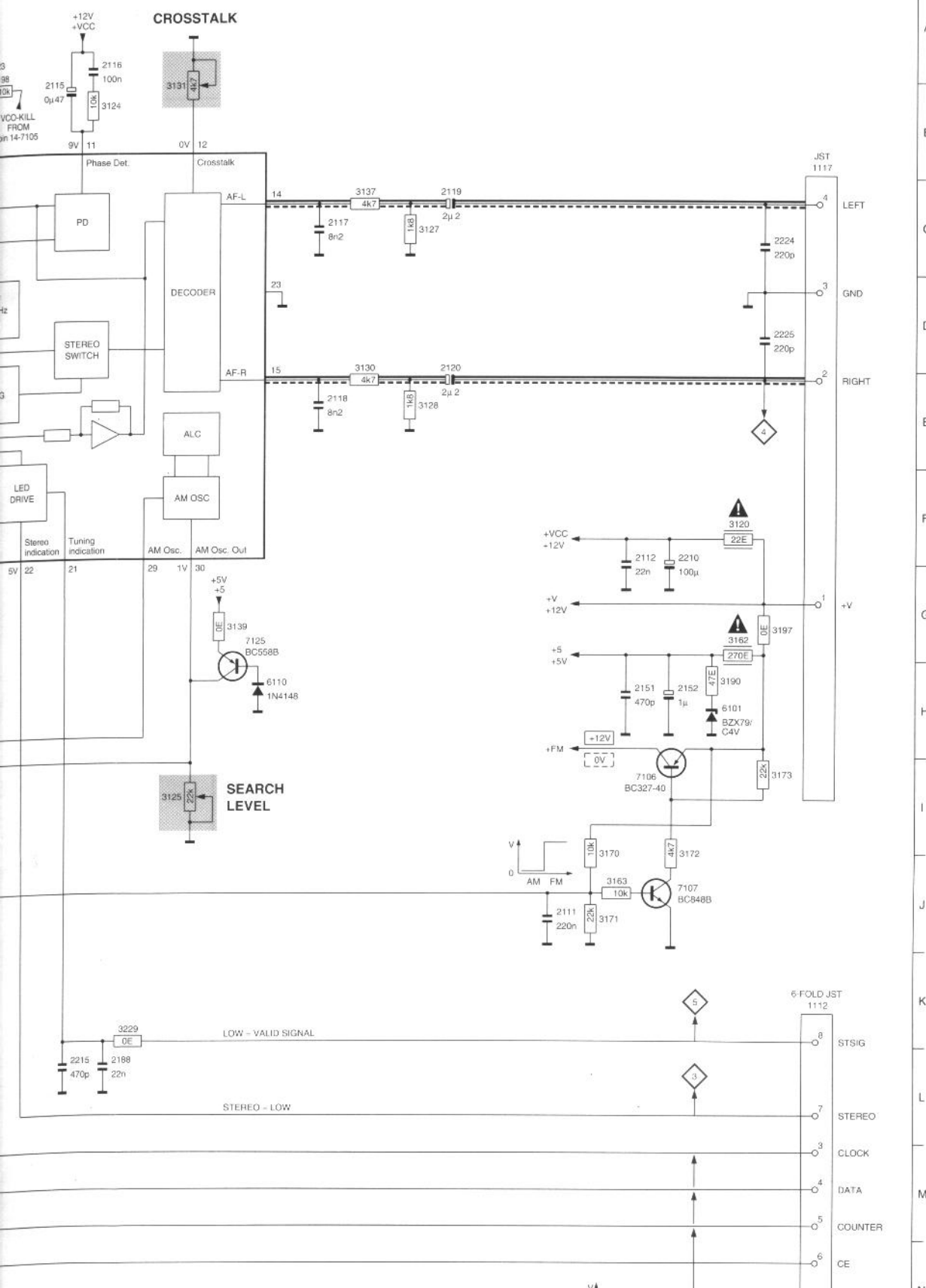
o for 2-band version only  
 x for LW version only  
 \*y for USA version only  
 z not for all versions

TUNER UNIT

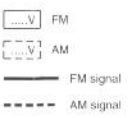




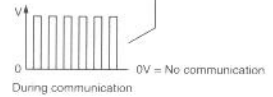
22 23 24 25 26 27 28 29 30



- A 1101 B6 3190 H29
- 1110 C1 3194 B20
- 1112 K30 3196 G30
- 1117 B30 3197 G29
- 2101 B3 3198 A21
- 2102 B4 3200 C9
- 2103 B2 3201 N6
- 2104 E8 3202 I9
- 2105 L10 3223 G16
- 2108 B11 3225 L19
- 2109 C10 3229 K22
- 2110 D12 3233 E7
- 2111 J27 3236 G15
- 2112 F28 3238 G20
- 2113 A15 3239 G14
- 2114 A20 3240 N4
- 2115 B22 5103 D8
- 2116 A22 5104 A16
- 2117 C25 5105 A18
- 2118 E25 5106 G18
- 2119 C26 5108 K8
- 2120 D26 5110 B15
- 2121 H13 5111 B19
- 2123 G15 5112 J13
- 2124 H14 5113 D12
- 2125 H15 5114 K8
- 2126 G16 5127 L5
- 2127 H18 6101 H29
- 2128 H19 6102 K6
- 2129 G19 6110 H24
- 2131 G17 6122 N12
- 2141 L6 7103 C13
- 2142 N9 7104 B20
- 2144 L7 7105 I14
- 2145 L8 7106 I28
- 2146 M8 7107 J28
- 2147 K12 7108 I11
- 2148 M12 7109 J11
- 2149 M12 7111 N4
- 2150 O18 7112 M8
- 2151 H28 7113 O7
- 2152 H28 7114 N4
- 2153 N19 7115 K5
- 2154 K13 7116 C11
- 2155 J12 7125 G24
- 2156 I10 7151 N6
- 2158 J11 9116 C10
- 2159 K11 9117 C8
- 2160 J10
- 2161 J6
- 2162 K7
- 2188 L22
- 2193 M5
- 2194 N5
- 2195 M6
- 2196 M8
- 2197 L8
- 2210 F28
- 2215 L22
- 2216 N20
- 2221 G15
- 2224 C29
- 2225 D29
- 3101 A2
- 3102 A3
- 3104 B4
- 3105 E8
- 3106 C7
- 3107 L11
- 3113 B11
- 3114 C11
- 3115 D11
- 3116 D11
- 3117 C11
- 3118 C11
- 3120 F29
- 3121 A16
- 3122 B18
- 3123 A21
- 3124 B22
- 3125 I23
- 3126 J19
- 3127 C26
- 3128 E26
- 3129 G17
- 3130 D25
- 3131 B23
- 3132 G19
- 3133 G15
- 3134 G13
- 3135 E12
- 3137 C25
- 3138 J6
- 3139 G24
- 3141 N4
- 3142 O5
- 3143 K6
- 3144 K6
- 3145 K6
- 3147 K7
- 3148 L7
- 3149 N7
- 3150 N7
- 3151 O7
- 3152 O8
- 3153 M3
- 3155 I10
- 3156 I10
- 3157 J11
- 3158 J11
- 3159 N13
- 3160 N13
- 3162 G29
- 3163 J27
- 3164 N12
- 3165 M19
- 3166 M19
- 3167 N19
- 3168 L19
- 3170 J27
- 3171 J27
- 3172 J28
- 3173 I29



option diodes		
	6122	6123
Europe	-	-
Japan	x	x
x = Diode mounted		



⚡ Only for JAPAN  
# Not for JAPAN

## Dismantling hints CD Short Loader

### Dismantling the tray

- a) Press open/close button to open the tray. If the tray doesn't work, use a small screw driver as shown in Fig.1 point 1 to move the tray outside. After the first centimeter it is possible to pull the tray out by hand.
- b) Release two snaps and remove tray.

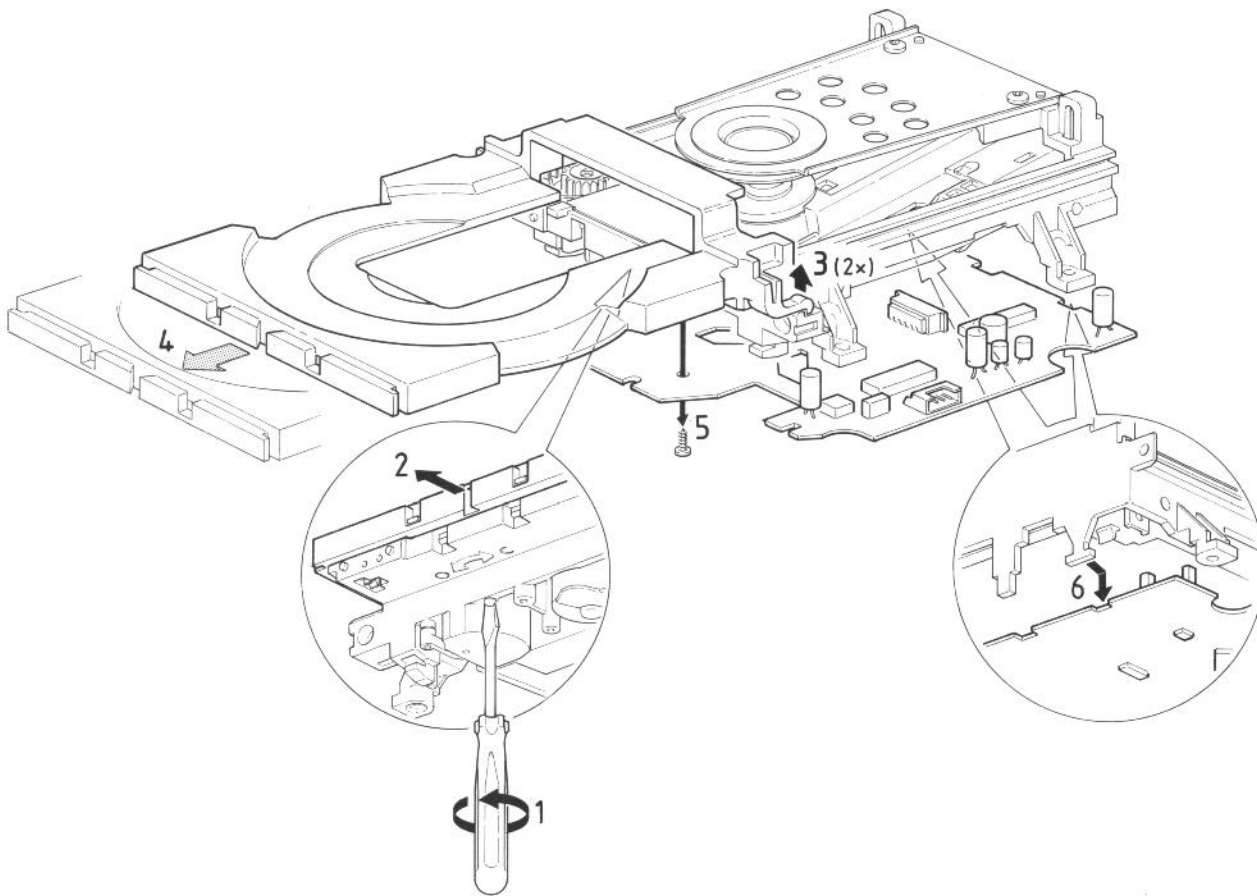
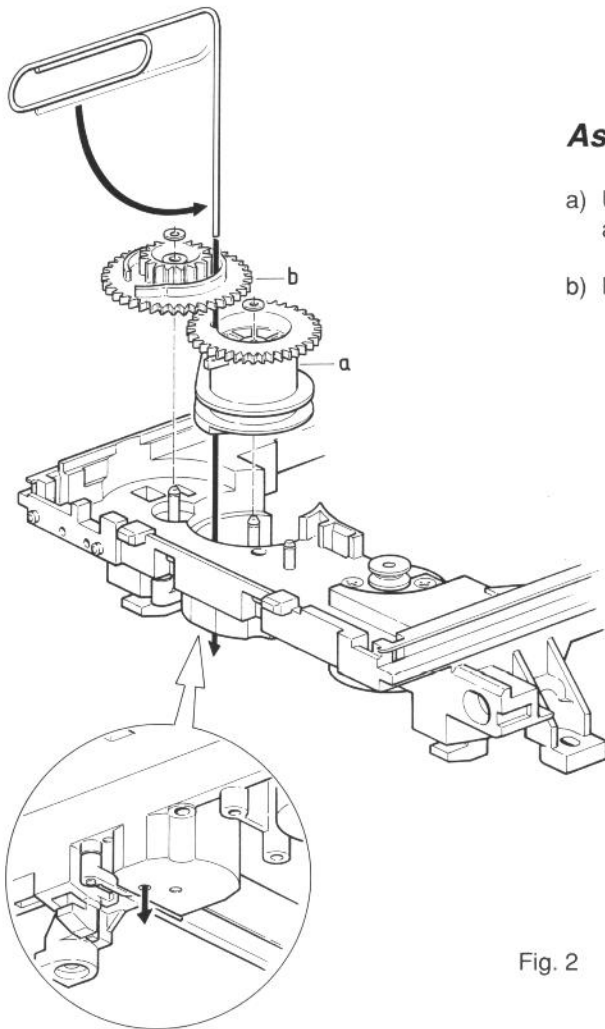


Fig. 1



### **Assembly of gear**

- a) Use a pin (e.g. a paperclip) to align the cam wheel (a) and the gear wheel (b) together. See Fig. 2.
- b) Fix the wheels with the small plastic washers.

Fig. 2

- c) Mount idle wheel2 (c) and idle wheel1 (d) in any position. See Fig. 3.
- d) Fix the idle wheel1 with the small plastic washer.
- e) Mount the driving belt.

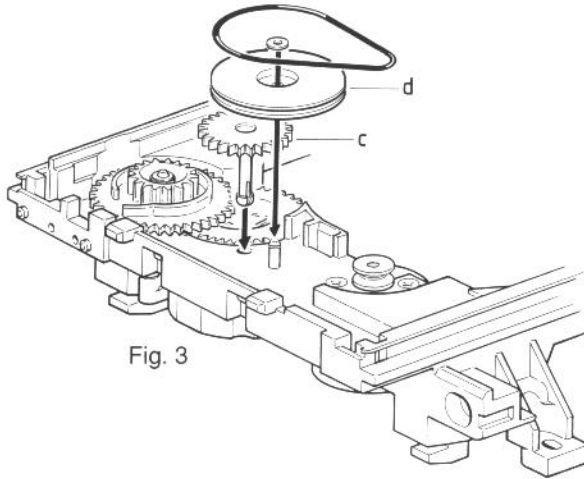


Fig. 3

wheel (a)

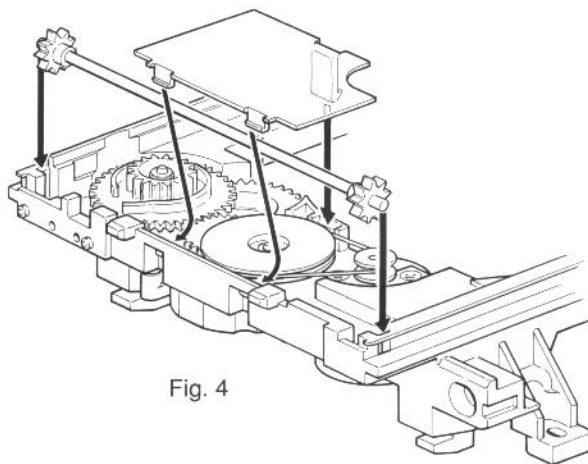


Fig. 4

- f) Mount the pinion guiding assy and the cover as shown in Fig. 4.
- g) Turn the gear wheel (b) counter clockwise to endposition.

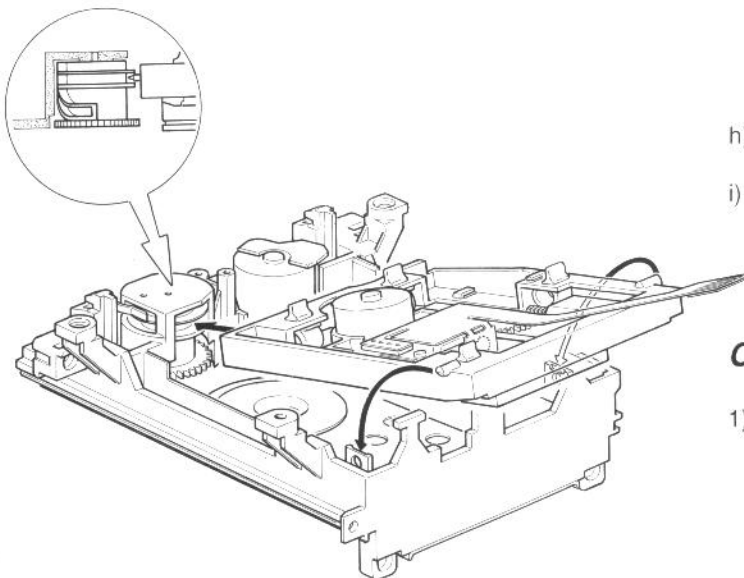


Fig. 5

- h) Mount the CD Mechanism as shown in Fig. 5.
- i) Mount the tray. (Align the tray to the chassis and push it inside)

### ***Check if tray mechanism works correct!***

- 1) Turn the gear wheel (b) clockwise to its endposition. (Use a small screwdriver as shown in Fig. 1 point 1)

The tray has to move to inner position first and than the CD Mechanism has to move to its upper position.

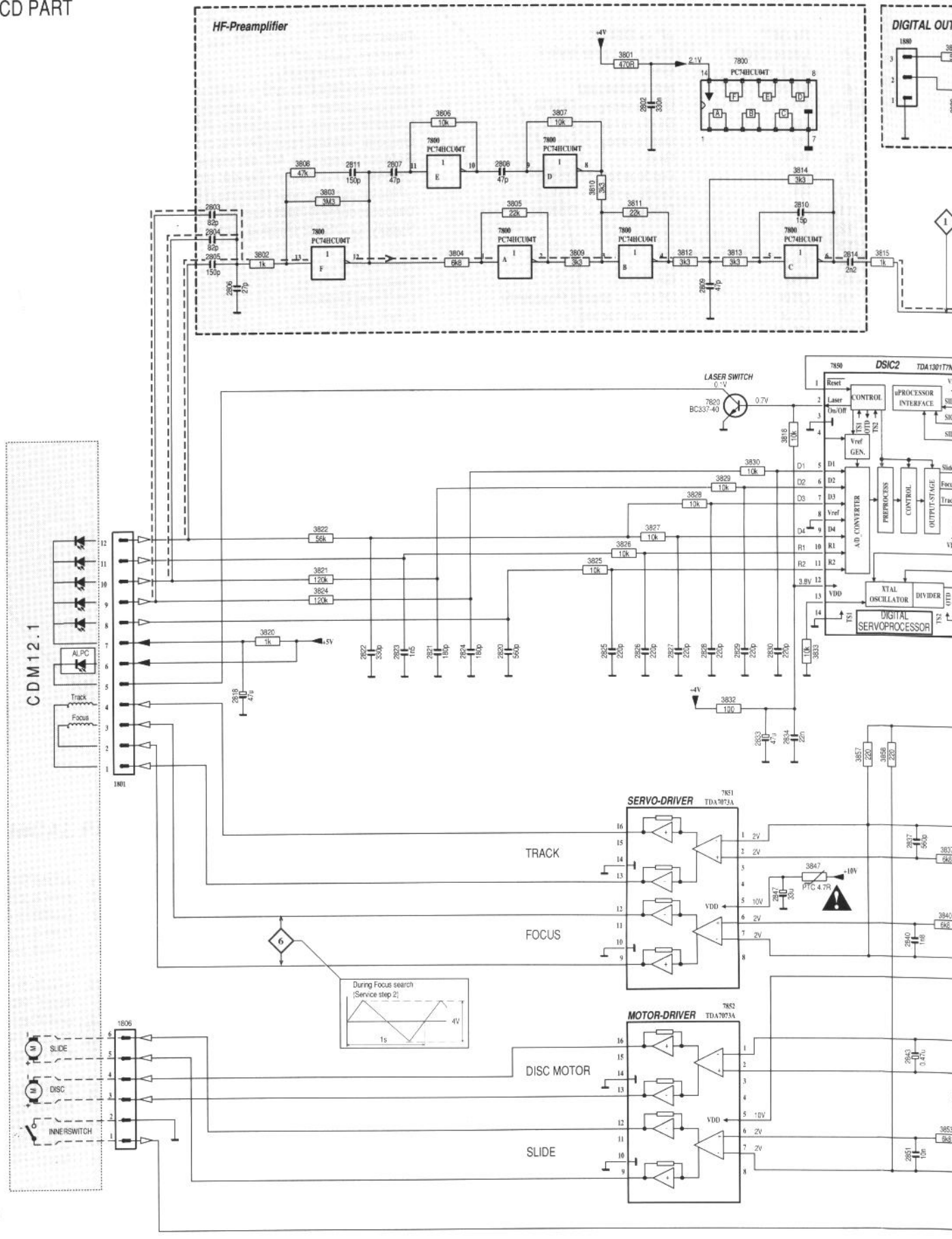
- 2) Turn the gear wheel (b) counter clockwise to its endposition.

The CD Mechanism has to move to its lower position first and than the tray has to move to outside.

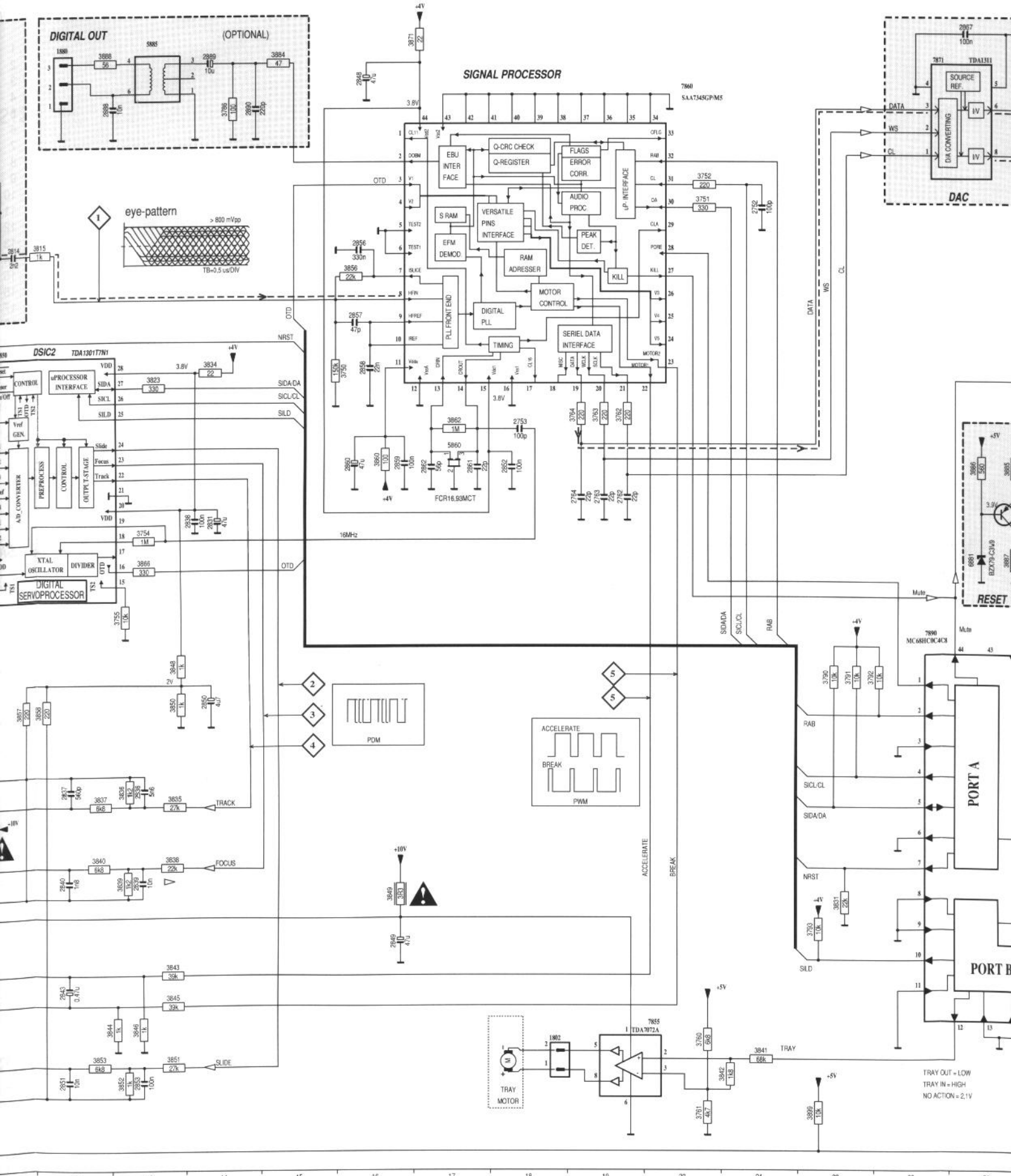


1801 J2	1806 O2	2752 C21	2764 G19	2803 C3	2807 C6	2811 C5	2821 H6	2825 H8	2829 H10	2834 J10
1802 N18	1810 J30	2753 F18	2769 B26	2804 C3	2808 C7	2814 D11	2822 H5	2826 H9	2830 H10	2836 K13
1804 F32	1820 J30	2762 G19	2770 D26	2805 D3	2809 D9	2818 I4	2823 H6	2827 H9	2831 H14	2837 K12
1805 G32	1880 A12	2763 G19	2802 B9	2806 D4	2810 C11	2820 H7	2824 H6	2828 H9	2833 J10	2838 H14

CD PART

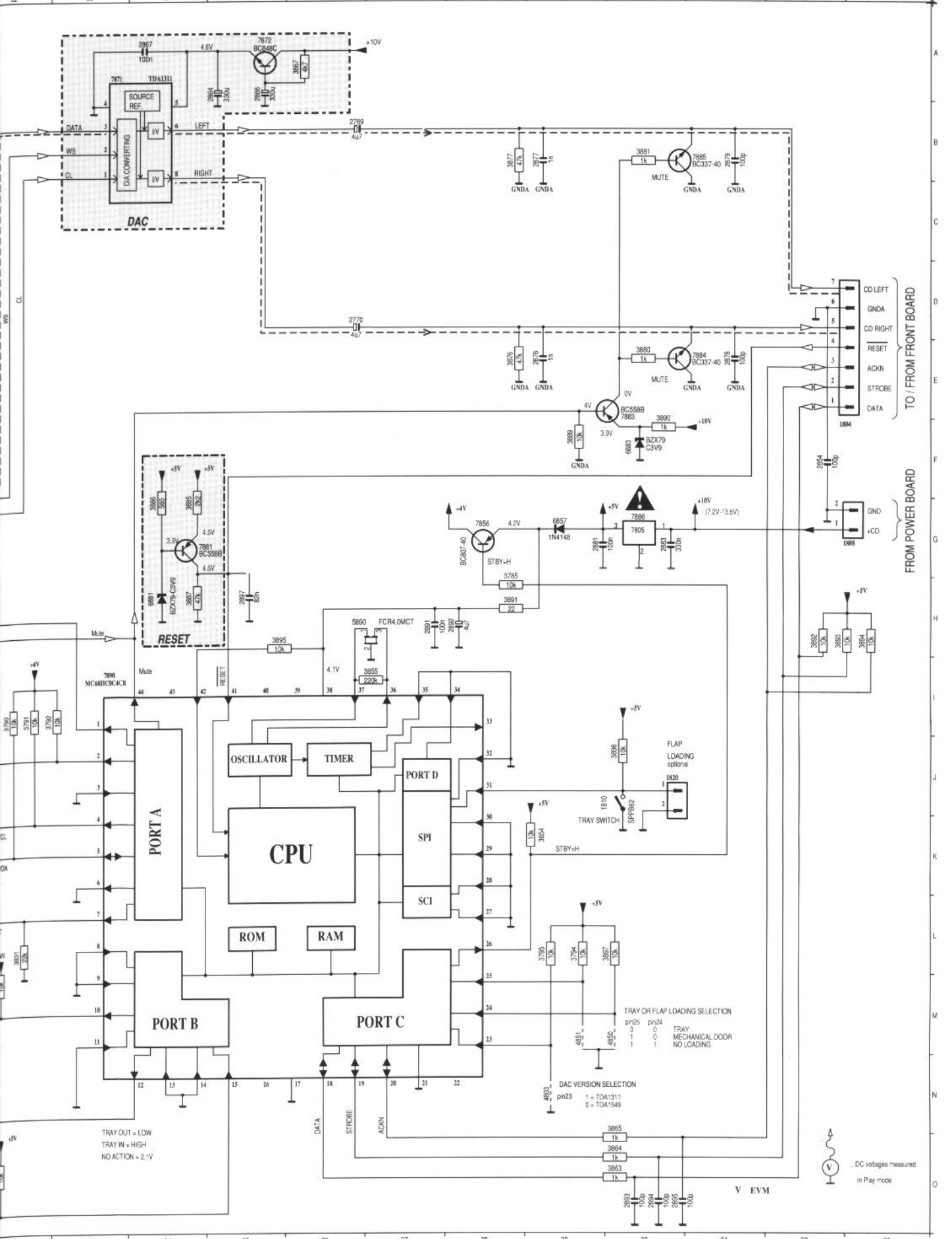


H10	2834	J10	2839	L13	2848	A16	2852	G18	2857	E16	2861	G17	2867	A24	2879	B31	2889	A14	2893	O30	3750	E16
H10	2836	K13	2840	L12	2849	M16	2853	O13	2858	E16	2862	G17	2876	E29	2881	G29	2890	B14	2894	O30	3751	C20
H14	2837	K12	2843	M12	2850	J14	2854	F32	2859	F16	2864	A25	2877	B29	2883	G30	2891	H27	2895	O30	3752	C20
J10	2838	H14	2847	L10	2851	O12	2856	D16	2860	F16	2866	A25	2878	E31	2888	B12	2892	H28	2897	H25	3754	G13



TRAY OUT = LOW  
 TRAY IN = HIGH  
 NO ACTION = 2.1V

14	2893	O30	3750	E16	3755	H13	3763	F19	3785	H28	3792	I22	3801	A8	3805	C7	3809	D8	3813	D10	3820	H4
14	2894	O30	3751	C20	3760	N20	3764	F19	3786	B14	3793	M22	3802	D4	3806	B6	3810	C8	3814	C11	3821	H5
27	2895	O30	3752	C20	3761	O20	3767	A29	3790	I22	3794	L29	3803	C5	3807	B8	3811	C9	3815	D12	3822	G5
28	2897	H25	3754	G13	3762	F19	3770	D29	3791	I22	3795	L29	3804	D6	3808	C5	3812	D9	3818	F10	3823	E13

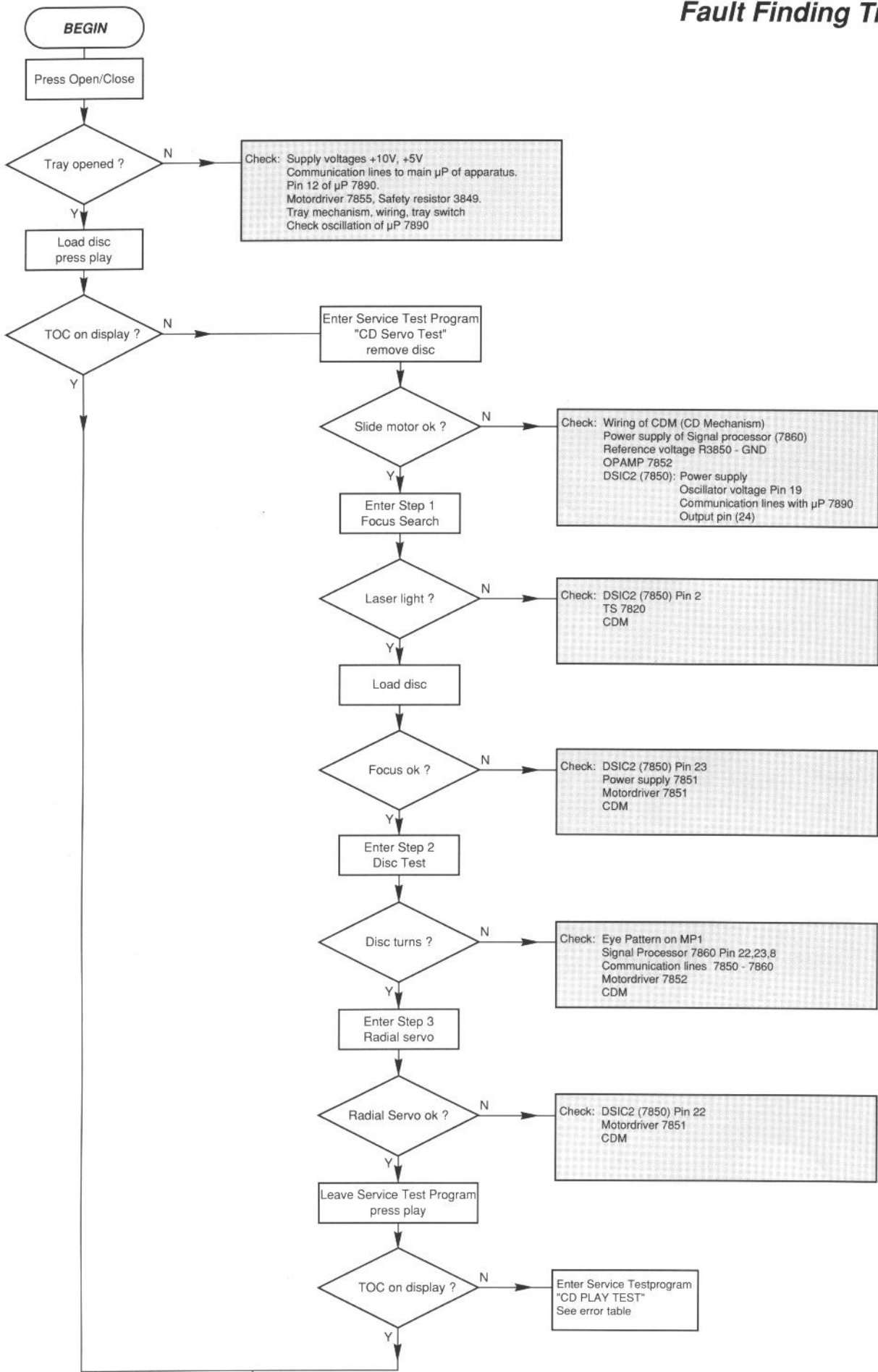


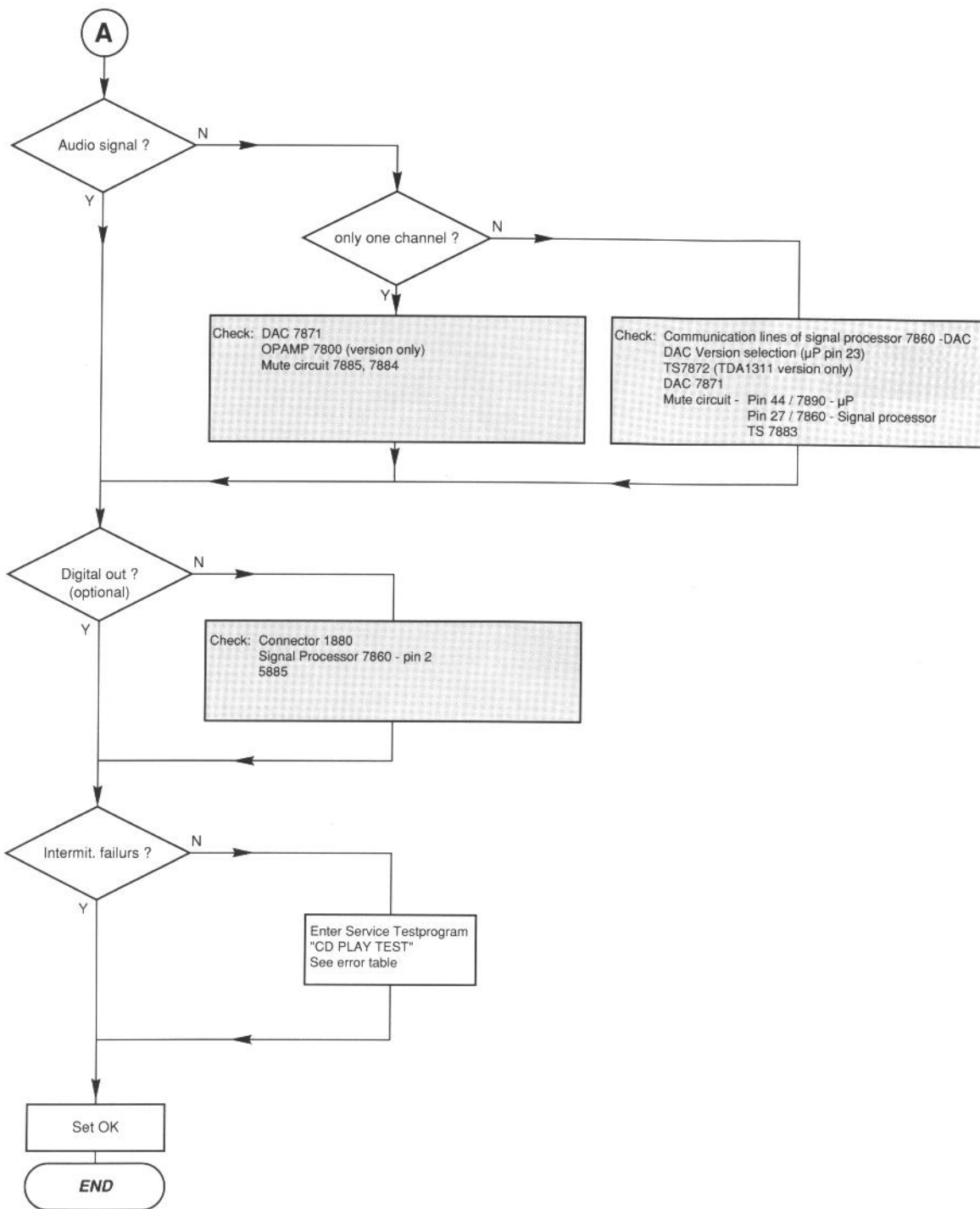
3824	H5
3825	G8
3826	G8
3827	G9
3828	G9
3829	F10
3830	F10
3831	L22
3832	I10
3833	H11
3834	E14
3835	K13
3836	K13
3837	K12
3838	L13
3839	L13
3840	L12
3841	N21
3842	N21
3843	M13
3844	N12
3845	N13
3846	N13
3847	K11
3848	I13
3849	L16
3850	J13
3851	N13
3852	O13
3853	N12
3854	K29
3855	I27
3856	D16
3857	J11
3858	J12
3860	F16
3862	F17
3863	O30
3864	O30
3865	O30
3866	H13
3867	A26
3871	A16
3876	E28
3877	B28
3880	E30
3881	B30
3884	A15
3885	G24
3886	G24
3887	H24
3888	A12
3889	F29
3890	F30
3891	H28
3892	H32
3893	H32
3894	H33
3895	H25
3896	J30
3897	L30
3899	O22
4803	N29
4850	M30
4851	M29
5860	F17
5885	A13
5890	H26
6857	G29
6881	H24
6883	F30
7800	D5
7800	B7
7800	B6
7800	C10
7800	C8
7800	C7
7820	E10
7850	E11
7851	J9
7852	M9
7855	N20
7856	G28
7860	B20
7871	A23
7872	C24
7880	D27
7880	A27
7881	G24
7883	C30
7884	E31
7885	B31
7886	G30
7890	I23

DC voltages measured in Play mode

V EVM

# Fault Finding Tree CD





Abb

DSIC2

Pin M

1	R
2	L
3	G
4	V
5	D
6	D
7	D
8	V
9	D
10	R
11	R
12	V
13	
14	TS
15	TS
16	O
17	CR
18	X
19	X
20	V
21	G
22	Tr
23	F
24	SI
25	SI
26	SI
27	SI
28	VD

SIGNA

Pin N

1	CL
2	DC
3	V1
4	V2
5	Te
6	Te
7	ISL
8	HF
9	HF
10	IRE
11	VD
12	VS
13	CR
14	CR
15	VD
16	VS
17	CL
18	MIS
19	DA
20	WC
21	SC
22	MO
23	MO
24	V5
25	V4
26	V3
27	KIL
28	PO
29	CLA
30	DA
31	CL
32	RAF
33	CFI
43	VSS
44	VD